



RANGEHOODS

Available in Canopy or Integrated



Canopy choice of colour

BLACK



STAINLESS STEEL



SLATE*



Undermount colour

STAINLESS STEEL



Specifications - Rangehoods

	90cm Infusion Canopy	110cm Infusion Canopy	90cm Canopy	110cm Canopy	80cm Integrated	100cm Integrated
MODEL NUMBER	FALHDS90	FALHDS110	FALHDCP90	FALHDCP110	FALUC801	FALUC1002
TYPE	CANOPY	CANOPY	CANOPY	CANOPY	UNDERMOUNT	UNDERMOUNT
MIN. HEIGHT ABOVE COOKER* (MM)	650	650	650	650	650	650
WIDTH (MM)	898	1098	898	1098	780	980
HEIGHT INCL. FASCIA EXCL. FLUE (MM)	60	60	240	240	N/A	N/A
FLUE HEIGHT MIN / MAX (MM)	730 / 1000	730 / 1000	495 / 770	495 / 770	N/A	N/A
NUMBER OF SPEEDS	3+i	3+i	3	3	2	2
EXTRACTION (DUCTED) 1/2/3/i4 (m ³ /hr)	370 / 590 / 780 / i880	370 / 590 / 780 / i880	340 / 540 / 770	340 / 540 / 770	400 / 800	800 / 1600
EXTRACTION (RECIRCULATED) 1/2/3/i4 (m ³ /hr)	320 / 430 / 480 / i500	320 / 430 / 480 / i500	240 / 320 / 370	240 / 320 / 370	N/A	N/A
CONTROL TYPE	SOFT PUSH BUTTON	SOFT PUSH BUTTON	SLIDER	SLIDER	FRONT SWITCHES	FRONT SWITCHES
NUMBER OF METAL FILTERS	3	4	3	4	2	2
CHARCOAL FILTERS (RECIRCULATED MODE)	1	1	2	2	N/A	N/A
DUCTED AND RECIRCULATION OPTION	•	•	•	•	DUCTED ONLY	DUCTED ONLY
AIR OUTLET DUCTS (MM)	120 / 150	120 / 150	120 / 125 / 150	120 / 125 / 150	150	150 / 150
LIGHTING	2 x LED	2 x LED	2 x 20W HALOGEN	2 x 20W HALOGEN	2 X LED	2 X LED
BLACK	•	•	•	•	-	-
STAINLESS STEEL	•	•	•	•	•	•
SLATE	•	•	-	-	-	-
OPTIONAL TRANSITION PIECE AVAILABLE	-	-	-	-	-	•

i4 extraction = Activates Speed four with a timer set to 6 minutes, after which it returns to the speed that was set previously. Suitable to deal with maximum levels of cooking fumes.



90cm Infusion



110cm Infusion



90cm Canopy



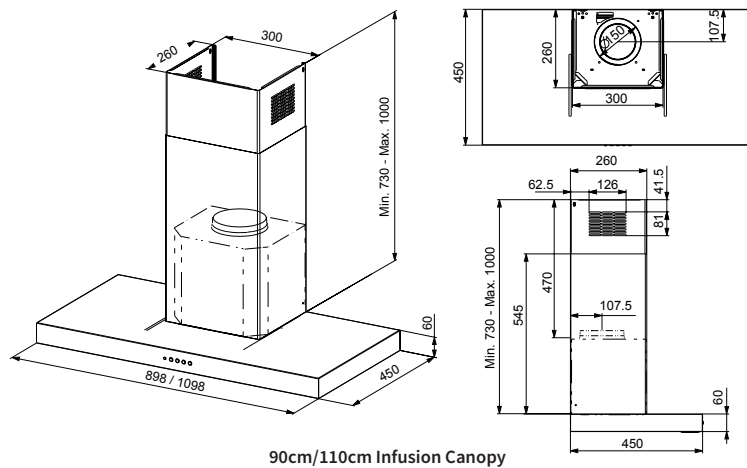
110cm Canopy



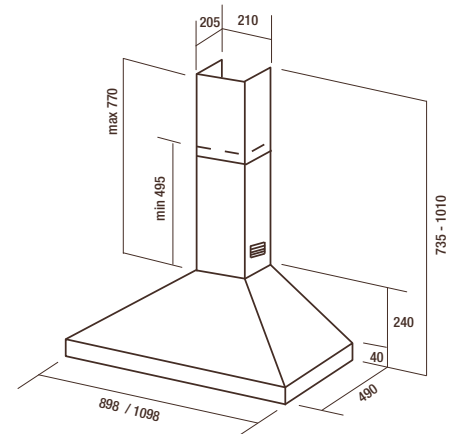
80cm Integrated



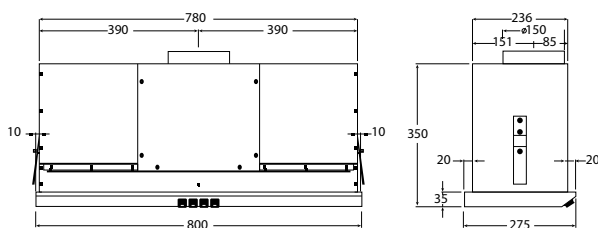
100cm Integrated



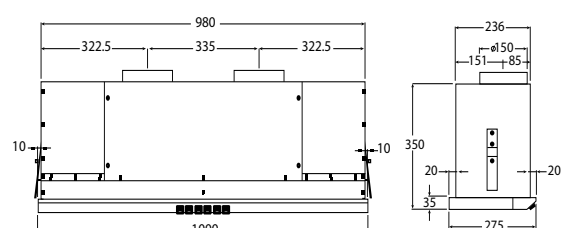
90cm/110cm Infusion Canopy



90cm/110cm Canopy



80cm Integrated



100cm Integrated

* Minimum clearance of the rangehood shall be no less than 650mm above the top of the pan support or electric hotplate. Falcon continuously seeks improvements in specification, design and production of products and thus, alterations and design changes take place periodically. Images are for illustrative purposes only. Whilst every effort is made to maintain up-to-date material, this information should not be regarded as an infallible guide to current specification, nor does it constitute an offer for the sale of any particular appliance.

[†] Infusion Hood only

Falcon continuously seeks improvements in specification, design and production of products and thus, alterations and design changes take place periodically.

Whilst every effort is made to maintain up-to-date material, this information should not be regarded as an infallible guide to current specification, nor does it constitute an offer for the sale of any particular appliance.