

LA CORNUE

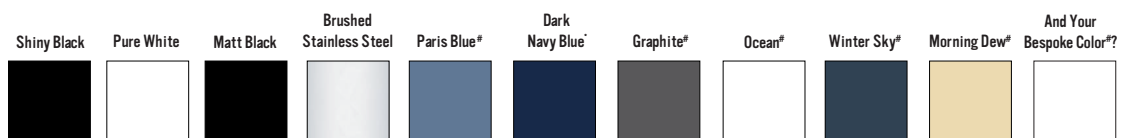
CornuFé Range Cookers

110 cm Available in Dual Fuel



With a large array of colours and trims available, there are more than 300 options for you to create a unique cooker to suit your desires and your style.

Price on request

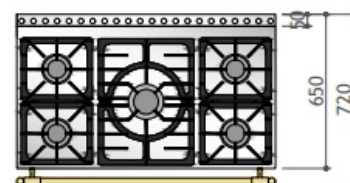
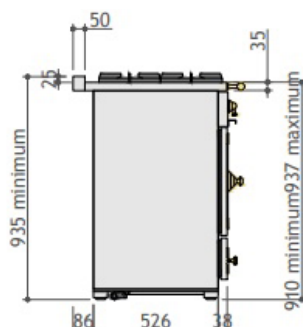
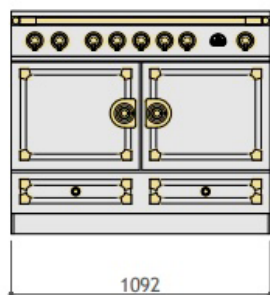


*Run out *Special order

CornuFé Range Cooker Specifications

FEATURES	CORNUFE 110 DUAL FUEL
MODEL NUMBER	CFE110DF + COLOUR
WIDTH (MM)	1092
DEPTH EX INC HANDLES (MM)	650 720
HEIGHT - UP TO HOTPLATE (MM)	910 937
HEIGHT - TO TOP OF PAN SUPPORTS (MM)	952 977
HOB RATINGS - MJ GAS (NATURAL LPG)	1 X 20.2MJ 18.4MJ 3 X 13.3MJ 12.6MJ 1 X 6.5MJ 6.3MJ
SUPPLY PRESSURE - NATURAL LPG	1.13KPA 2.75KPA
OPERATING PRESSURE - NATURAL LPG	1.00KPA 2.54KPA
LPG CONVERSION KIT INCLUDED	YES
MAX. TOTAL CONNECTED LOAD (KW) @230V	5.14
ELECTRICAL CONNECTION (AMPS)	22.3
OVEN CAPACITY LITRES LH RH >> LITRES BASED ON EUROPEAN STANDARDS MEASUREMENTS	79 79
OVEN TEMPERATURE	80°C – 240°C
TRIM MATERIAL	SOLID BRASS OR NICKLE
OVEN FUEL LH RH	ELECTRIC ELECTRIC
OVEN TYPE LH RH	MULTI FUNCTION FAN
INTERNAL OVEN CAVITY WXD XH (MM) - LEFT	460 X 420 X 377
MAXIMUM TRAY SIZE W X D (MM) - LEFT (AIR MUST BE ABLE TO CIRCULATE)	417 X 322
INTERNAL OVEN CAVITY WXD XH (MM) - RIGHT	460 X 420 X 410
MAXIMUM TRAY SIZE W X D (MM) - RIGHT (AIR MUST BE ABLE TO CIRCULATE)	417 X 322
GRILL FUEL	ELECTRIC
GRIDDLE	OPTIONAL EXTRA SIT ON
WOK CRADLE	OPTIONAL EXTRA SIT ON
CAST IRON PAN SUPPORTS	YES
FLAME FAILURE SAFETY DEVICE	YES
ELECTRONIC IGNITION	UNDER KNOB
DOOR OPENING LH RH	SIDE SIDE
DOOR TYPE LH RH	SOLID SOLID
OVEN LIGHT (HALOGEN)	X2
STORAGE DRAWER (INTERNAL)	995MM W X 360MM D X 130MM H
FULL CAPACITY TELESCOPIC SHELF WITH RUNNERS (PAIR)	NOT AVAILABLE
OVEN BASE TRAY	X2
FLAT SHELVES	X2
DROP SHELVES	X2
DELUXE OVEN TRAY	X2
DELUXE OVEN TRAY TRIVET	X1
NO. OF SHELF LEVELS	5
OVEN FUNCTIONS	
BASE HEAT	LH
BROWNING ELEMENT	LH
CONVENTIONAL OVEN	LH
DEFROST	LH
FAN ASSISTED	LH
FANNED GRILLING	LH
FAN OVEN	LH & RH
WEIGHT & WARRANTY	
WEIGHT (KG)	140
5 YEAR WARRANTY	YES
MADE IN	UK

CHOOSE A COLOUR	CHOOSE A TRIM BELOW		
	BRUSHED NICKEL & STAINLESS STEEL (SS HANDRAIL)	POLISHED BRASS & STAINLESS STEEL (PB HANDRAIL)	POLISHED CHROME & STAINLESS STEEL (SS HANDRAIL)
SHINY BLACK	YES	YES	SPECIAL ORDER
PURE WHITE	YES	YES	SPECIAL ORDER
MATT BLACK	YES	YES	SPECIAL ORDER
BRUSHED STAINLESS STEEL	YES	YES	SPECIAL ORDER
PARIS BLUE	SPECIAL ORDER	SPECIAL ORDER	SPECIAL ORDER
DARK NAVY BLUE (RUN OUT)	YES	YES	N/A
GRAPHITE	SPECIAL ORDER	SPECIAL ORDER	SPECIAL ORDER
OCEAN	SPECIAL ORDER	SPECIAL ORDER	SPECIAL ORDER
WINTER SKY	SPECIAL ORDER	SPECIAL ORDER	SPECIAL ORDER
MORNING DEW	SPECIAL ORDER	SPECIAL ORDER	SPECIAL ORDER
BESPOKE	ALL BESPOKE COLOURS AND TRIMS ARE SPECIAL ORDER		



2 gas burners (2 x 13.3mj)
1 single gas burner (20.2mj)
2 gas burners (back burner 13.3mj, front burner 6.5mj)