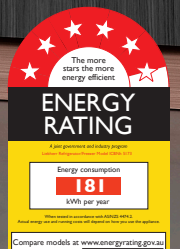


# ICBNh 5173

Integrated fridge-freezer with  
BioFresh and NoFrost

## LIEBHERR

Fully Integrated





Fully Integrated

# ICBNh 5173

Peak



Specifications	
Total Usable Volume Litres	246 litre
Fridge compartment	104 litre
BioFresh compartment	71 litre
Freezer compartment	71 litre
Temperature rise time	9 h
Freezing capacity in 24 hours	6 kg
Climate rating	SN-T (+10°C to +43°C)
Noise output	34 dB(A)
Frequency/voltage	50-60 Hz / 220-240 V-
Connection Rating	1.4 A 183 W
Fridge compartment	
Forced air system	FreshAir activated charcoal filter with Ambilight
Interior light	LED light panel on both sides
BioFresh-Safes	2 BioFresh-Safes with SoftTelescopic, HydroBreeze, 1 FlexSystem
GlassLine Door interior	Premium GlassLine / Removable VarioBoxes
Freezer compartment	
Defrosting	automatic
Interior light	LED
Number of drawers	3 drawers, of which 2 set on telescopic rails
Cold storage accumulators	2
IceMaker	yes
Ice cube capacity in 24 hours	1.2 kg
Ice cube stock	5.0 kg
Type of appliance	
Type	Built-in for integrated use
Door assembly	Door on Door
Dimensions	
Height	177.2-178.8 cm
Width	56-57 cm
Depth	min. 55 cm
Features	
Interface	SmartDeviceBox: optional accessory (Anticipated arrival July 2022)
Door hinges	left, reversible
EAN-Nr.	4016803079118

Fully Integrated

# Features



## BioFresh with HydroBreeze

Do you want to cool fruit and vegetables like professionals? You'll be inspired by HydroBreeze. The cold mist combined with a temperature in the safe of just over 0 °C gives food that extra boost for longer shelf life. And it creates a genuine visual wow effect. HydroBreeze is activated every 90 minutes for 4 seconds and for 8 seconds when the door is opened.



## Meat & Dairy safe

Do you want the tender veal fillet or fresh milk to stay fresh for as long as possible? The BioFresh safes will ensure this is the case. In the Meat & Dairy Safe, the temperature is close to 0 °C – ideal storage conditions for even the most delicate of foods. And best of all, everything is perfectly adjusted in the factory for immediate use – and for longer freshness.



## DuoCooling

DuoCooling uses two completely separate refrigeration circuits to ensure no air is exchanged between the fridge and freezer compartments. The food neither dries out nor is odour transferred. This means throwing less away, shopping less often, but saving more and greater enjoyment.



## Ambient lighting

Light creates special design effects – and this includes in your refrigerator with our ambient lighting. The all-round lighting creates unique effects in the interior. And, together with the rear wall in SmartSteel design and the black high-gloss fan, it creates an atmospheric ambience.



## LightTower

Enjoy an optimally illuminated interior: the LightTower shows off the food in its best light and is positioned so that all of your filled fridge is illuminated at all times. The flush mounting of the LightTower in the side walls means there is also more space for your food.

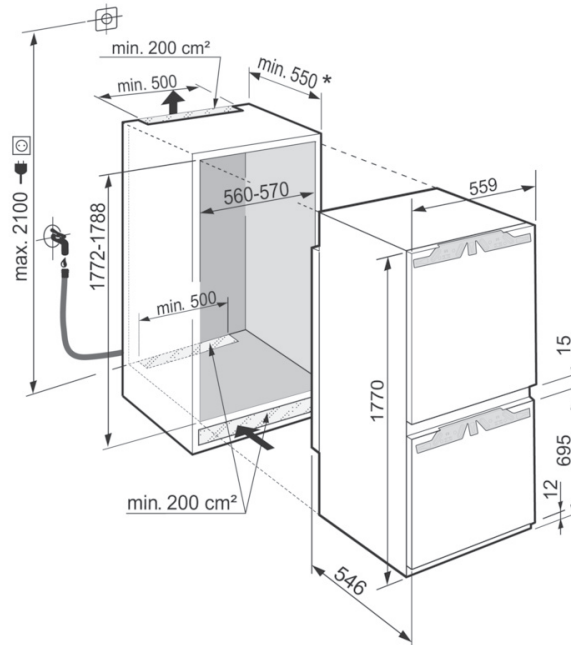


## Touch & Swipe display

Control of your Liebherr at your fingertips: thanks to the Touch & Swipe display, you can operate your refrigerator intuitively and with ease. Simply select functions such as SuperCool on the colour display by tapping and swiping. The temperature is controlled just as easily. And, what if you are not actively using the display? Well, it then shows you the actual temperature.

# Diagrams

## Installation Diagram



\* Recommended: 560 mm

Products and their details are staged for advertising purposes. Whilst every effort is made to ensure all specifications and information in this flyer are accurate, Liebherr reserves the right to make changes without notification. Where actual appliance measurements, specifications, and ratings are crucial, we recommend that the actual appliance installation instructions that accompany each appliance be checked. Liebherr will not be liable for any loss. (09.02.2022)