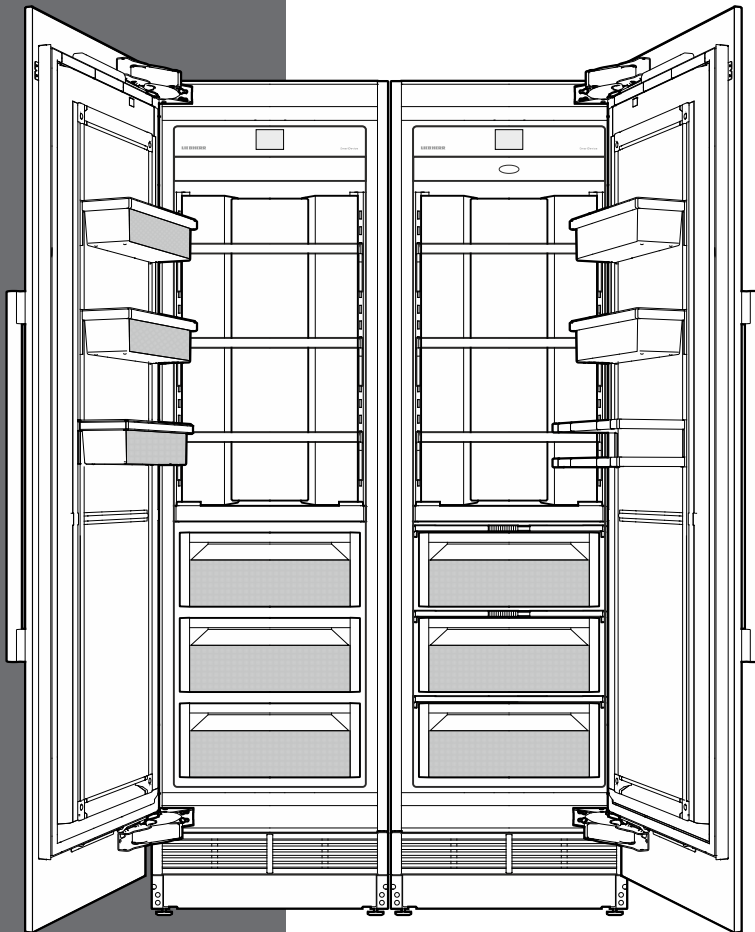


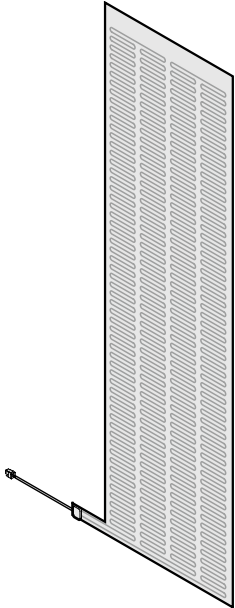
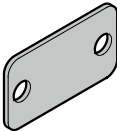
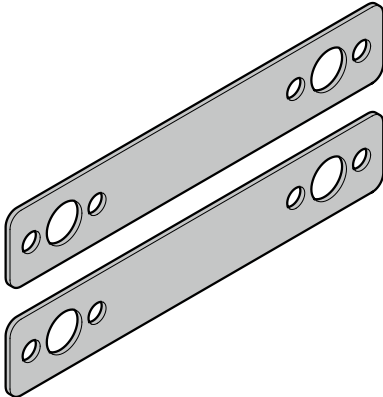
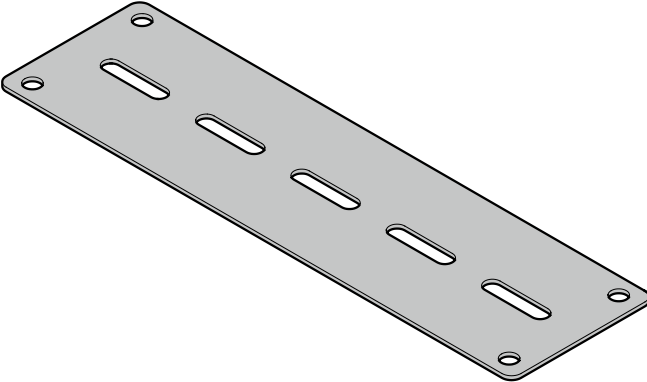
LIEBHERR

Side by Side Installation



MRB 2400 / MRB 3000 / MRB 3600
MF 1851 / MF 2451
7083 044-00

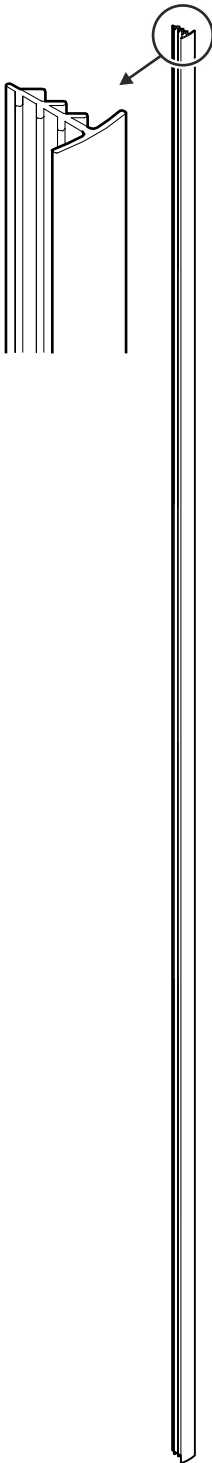
Parts list of SBS Installation Kit

Image	Article number	Name of the item
 A long, narrow, rectangular heating blanket with a textured surface and a small electrical plug at one end.	6943 001-00	Heating blanket
 A small, rectangular metal plate with two circular holes on one side.	9022 776-00	Front connecting plate
 Two long, narrow metal plates, each with two circular holes on one side, shown stacked together.	9022 778-00	Rear connecting plates
 A long, narrow metal plate with four rectangular slots and two circular holes on one side.	9022 777-00	Top connecting plate

Image

Article number

Name of the item



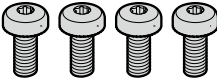
7641 033-00

Sealing strip



4098 066-01

Screws 6 x 25



4084 005-01

Screws M4 x 13

Other parts used in this installation manual are supplied with the appliance, not with the SBS Kit.

Side by Side (SBS) Installation

⚠ WARNING!

Risk of fire or damage.

The accessory is intended for use only with an appliance that is marked to indicate such use.

*This kit may only be installed with models
MRB 2400, MRB 3000, MRB 3600
MF 1850, MF 2450*

The Side by Side installation should only be done by a trained expert. We recommend this procedure be done by two people.

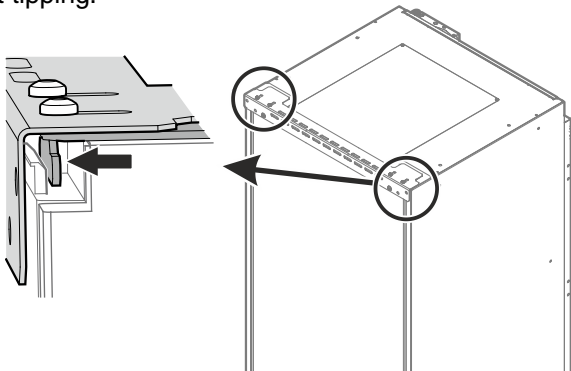
⚠ WARNING!

Electrocution hazard.

The refrigerator must be disconnected from the source of electrical supply before attempting the installation.

Anti-Tipping Device

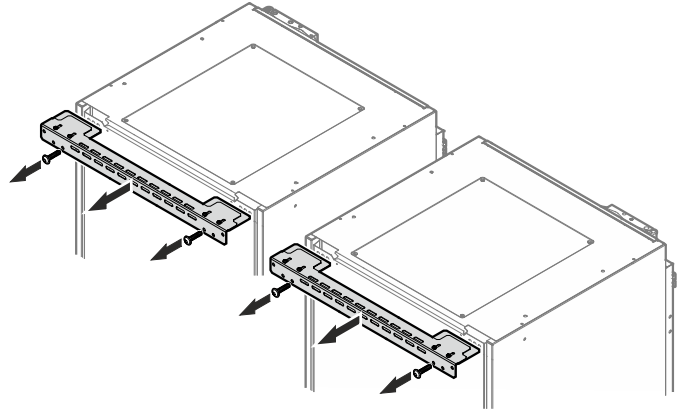
The anti-tipping device is mounted on the back wall in the recess at the finished installation height. After the appliance is in the recess and raised in height, the hook of the bracket will connect with the appliance top and prevent tipping.



⚠ WARNING!

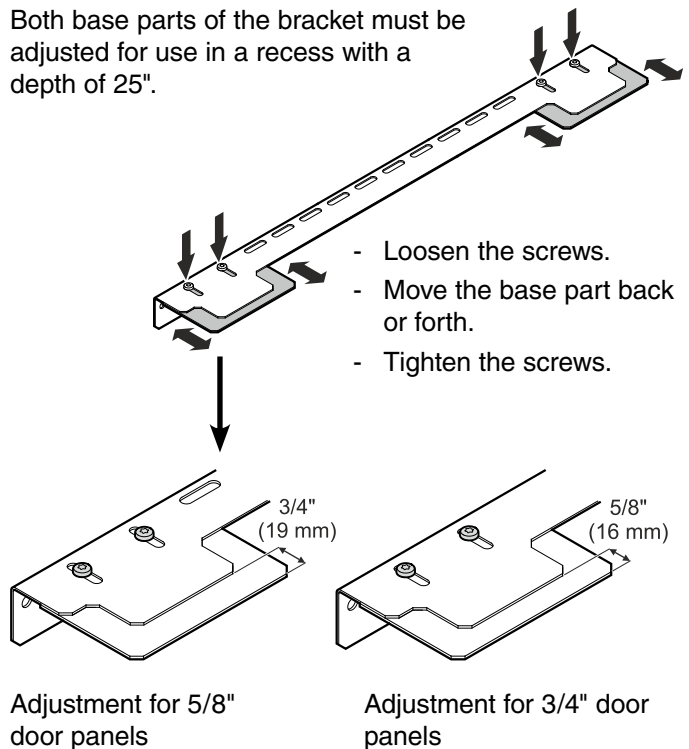
- The anti-tipping bracket must be mounted to prevent the appliance from tipping when the fully stocked door is opened.
- Be sure that there is no plumbing or electrical wiring located in this area which screws or drills could damage.

1. Remove the anti-tipping brackets from both appliances. The screws are no longer needed.

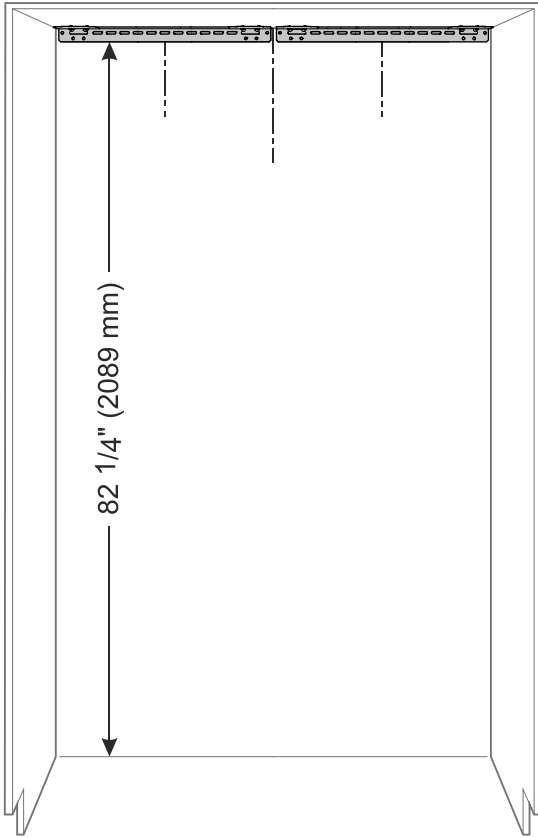


Adjustment of the anti-tipping bracket for use in a 25" deep recess

Both base parts of the bracket must be adjusted for use in a recess with a depth of 25".

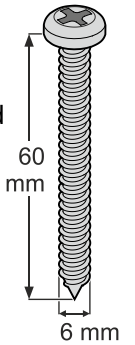


If the recess is deeper than 25", a spacer must be mounted between bracket and wall.



2. Mark the recess centerline on the back wall.
3. Mark a centerline on the left and right between the recess centerline and the walls of the recess.
4. Position each anti-tipping bracket at the stated height and align with the centerline.
5. Fasten the anti-tipping bracket through the outer left and right and any other hole using the screws 6 x 60 provided with the appliance.

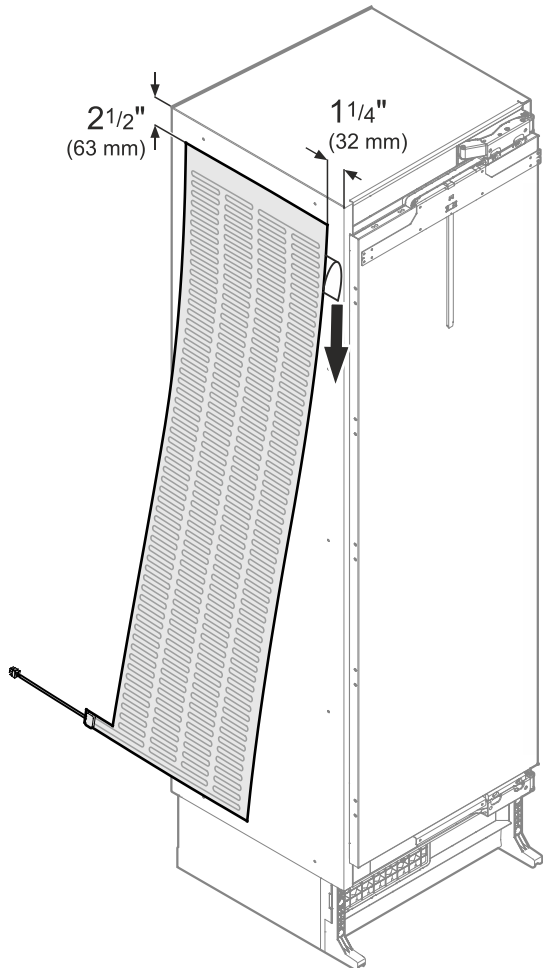
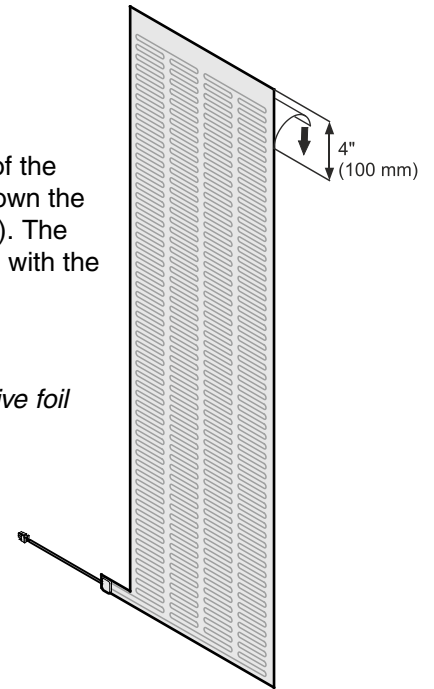
Use appropriate anchors for concrete walls.



6. Loosen the protective foil of the heating blanket top. Pull down the foil for approx. 4" (100 mm). The heating blanket is supplied with the SBS kit.

IMPORTANT

Do not remove the protective foil completely.

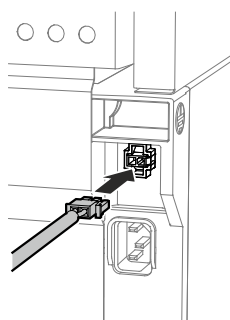
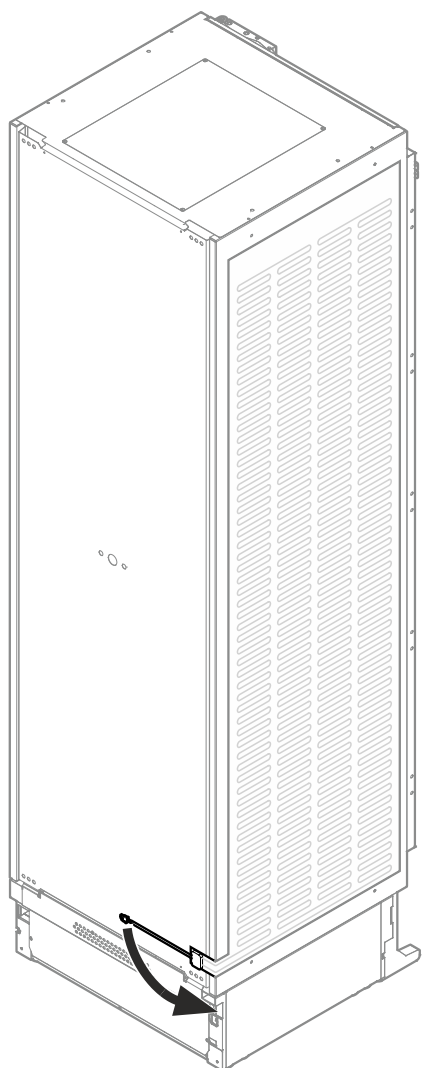
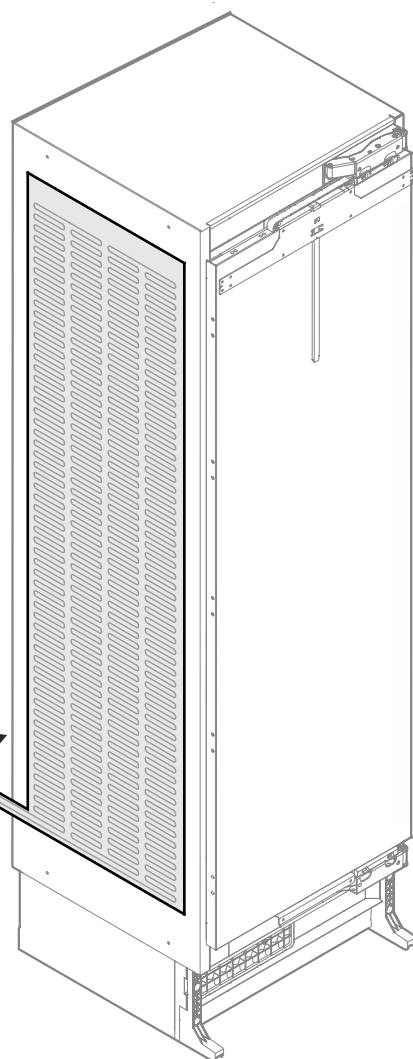
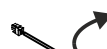


7. Adhere the heating blanket on the left side wall of the right appliance. Upper edge of blanket 2 1/2" (63 mm) downwards from the the appliance top.
Front edge of blanket 1-1/2" (32 mm) from the appliance housing backwards.
Remove the protective foil a bit at a time as you go and flatten the heating foil top down.

IMPORTANT

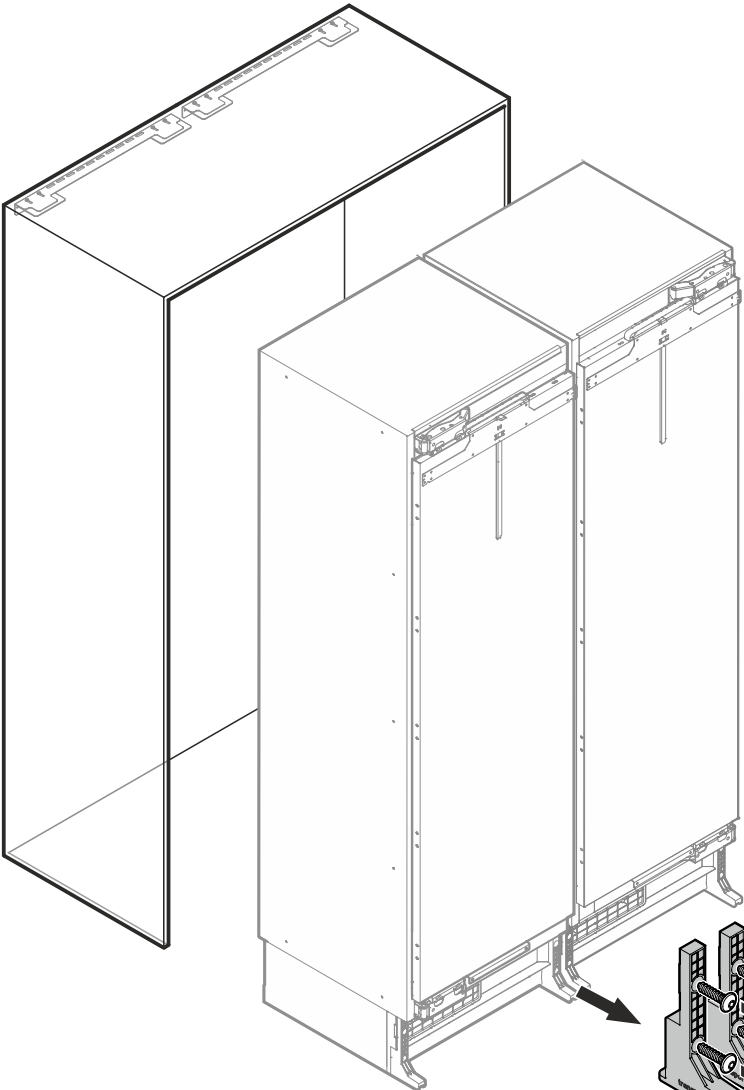
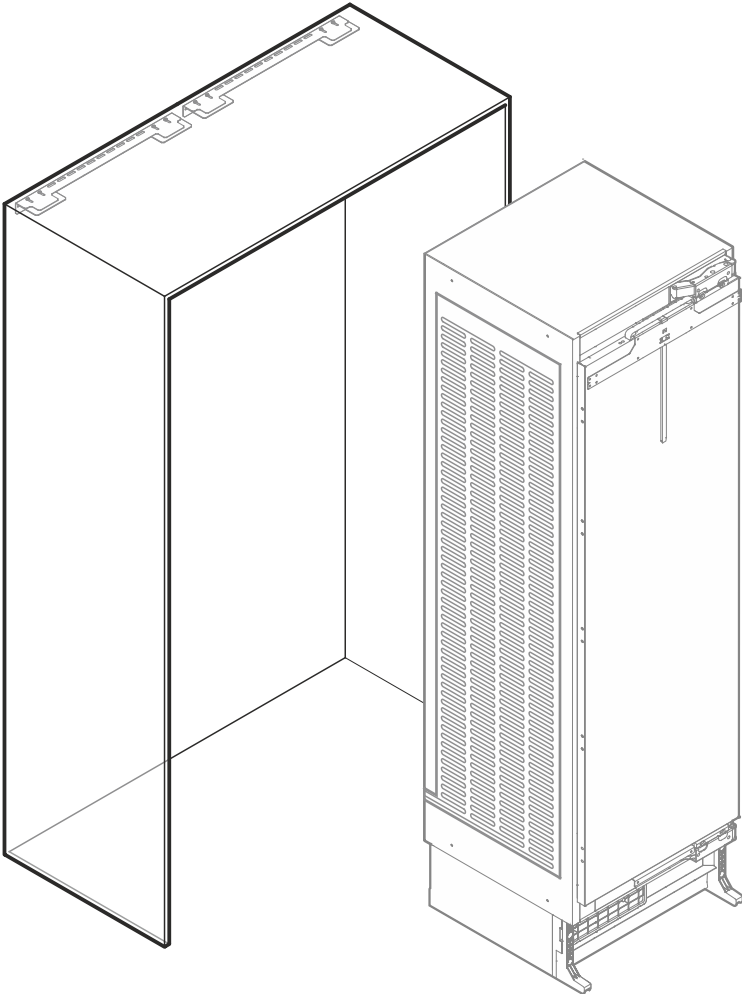
There should be no air pockets between heating foil and appliance wall.

8. Bend the lower tongue of the heating blanket around the corner and adhere to the back of the appliance.



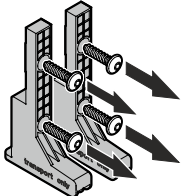
9. Connect the cable of the heating blanket with the socket.

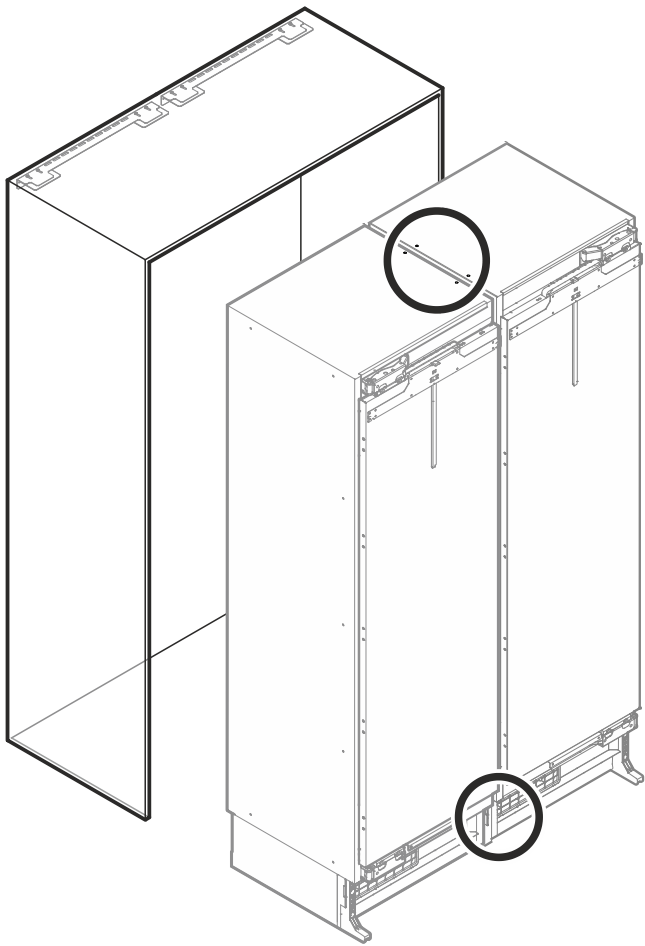
10. Move the right appliance in front of the recess and leave enough space to work behind.



11. Move the leftt appliance in front of the recess and leave a space of approx. 1/4" (6 mm) between the appliances.

Remove the inner transit supports using a Torx 25 key.

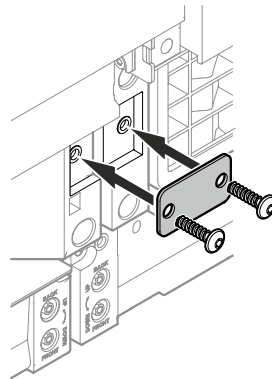
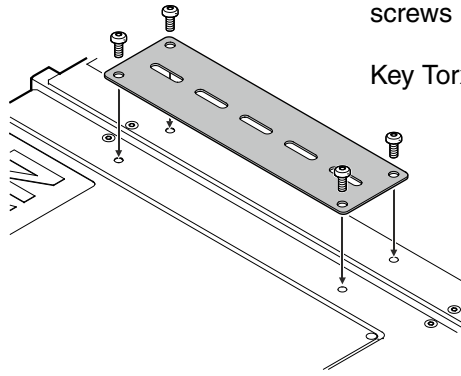




12. Attach the top connecting plate and fasten with the screws M 4 x 13.



Key Torx 25.



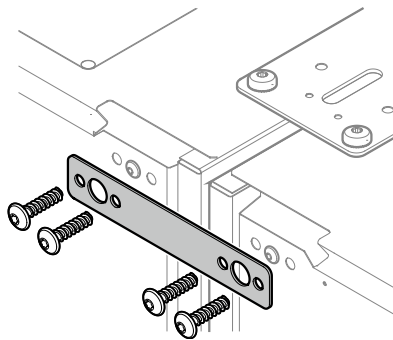
13. Attach the front connecting plate and fasten with the screws 6 x 25.



Key Torx 25.

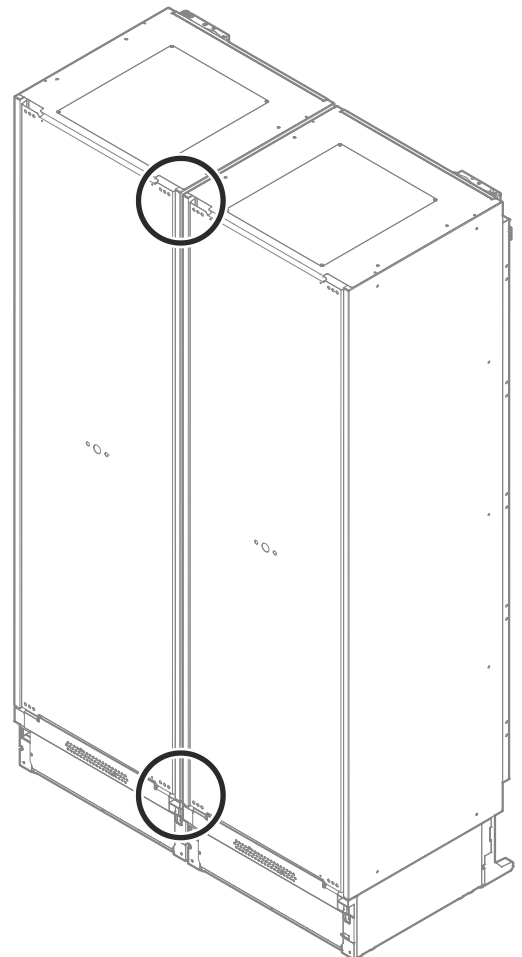
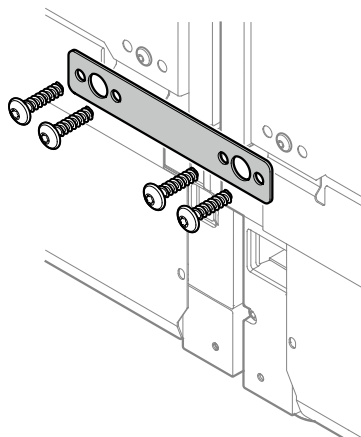
14. Attach the connecting plate at the top of the appliance rear and fasten with the screws 6 x 25.

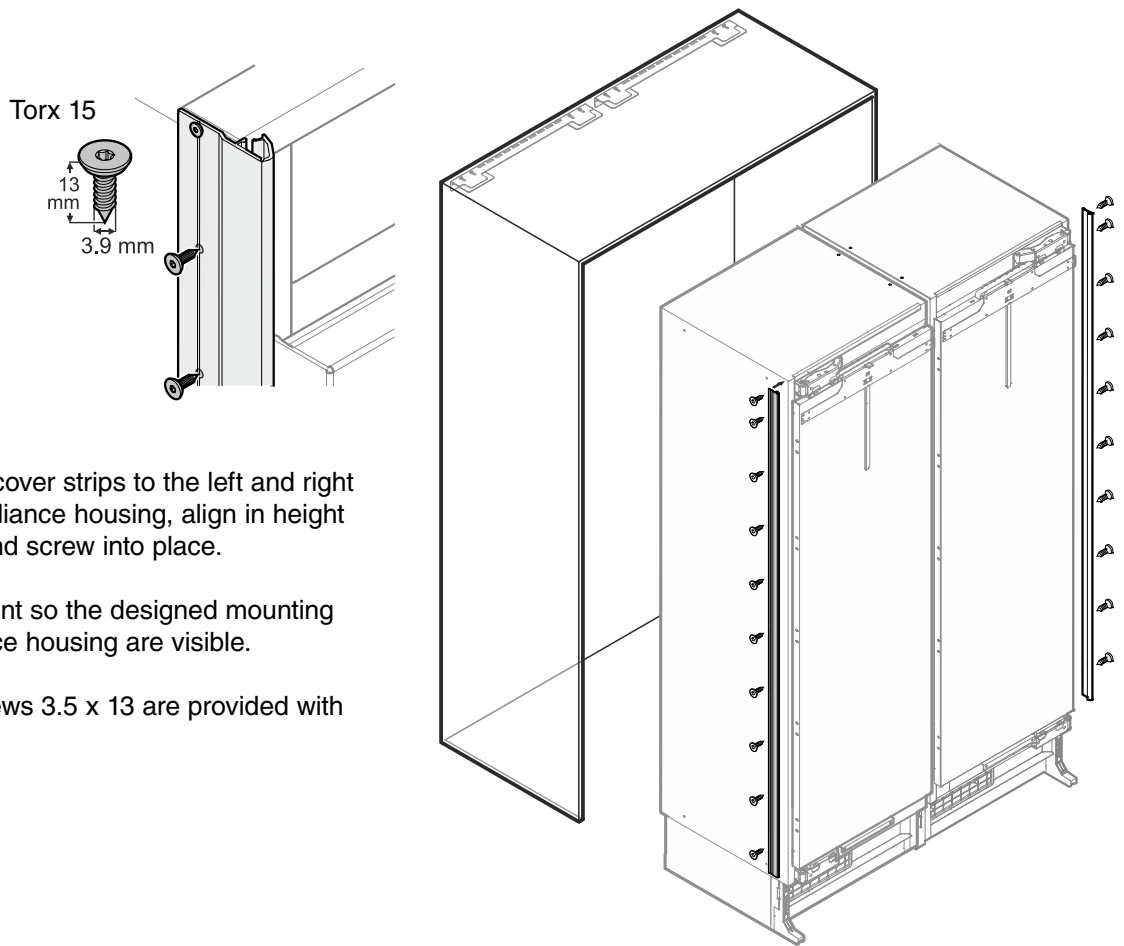
Key Torx 25.



15. Attach the connecting plate at the bottom of the appliance rear and fasten with the screws 6 x 25.

Key Torx 25.





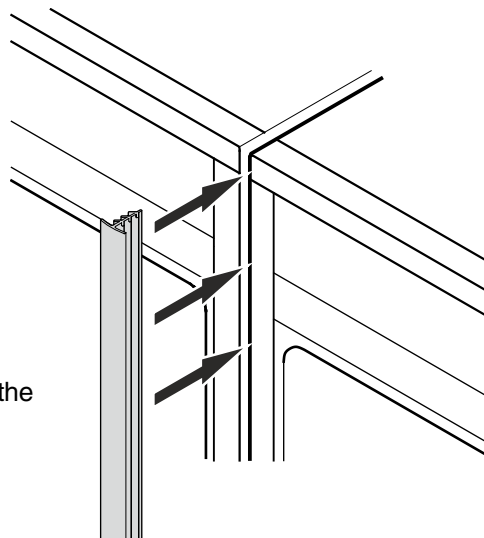
16. Apply the appliance cover strips to the left and right front edge of the appliance housing, align in height with the top profile and screw into place.

The strip is transparent so the designed mounting holes on the appliance housing are visible.

Cover strips and screws 3.5 x 13 are provided with the appliance.

Complete the installation as described in chapter **Appliance Installation** in the installation instructions of the appliance.

17. Open the doors and press the sealing strip into the gap between the appliances.



For Service in the U.S.

Liebherr Service Center

Toll Free: **1-866-LIEBHER** or **1-866-543-2437**

Email: Service-appliances.us@liebherr.com

PlusOne Solutions, Inc.

3501 Quadrangle Blvd, Suite 120

Orlando, FL 32817

For Service in Canada

Liebherr Service Center

Toll Free: **1-888-LIEBHER** or **1-888-543-2437**

www.euro-parts.ca

EURO-PARTS CANADA

39822 Belgrave Road

Belgrave, Ontario, N0G 1E0

Phone: (519) 357-3320

Fax: (519) 357-1326