



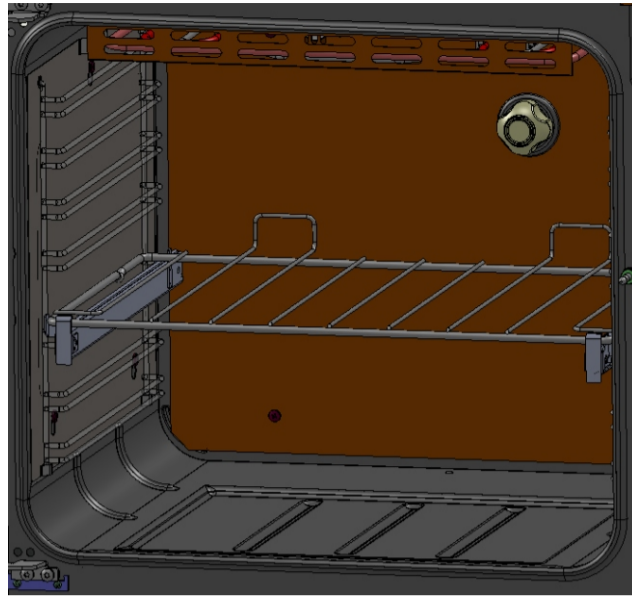
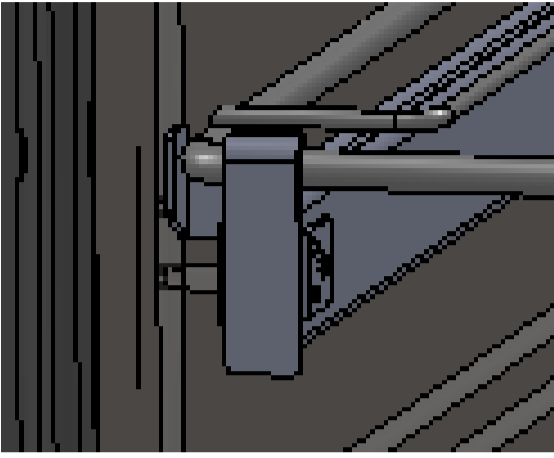
TELESCOPIC RAIL KIT SLIDER FITTING INSTRUCTIONS



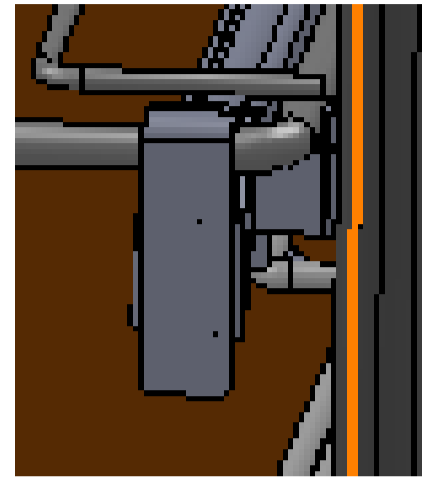
Andi-Co Australia

FITTING SLIDERS

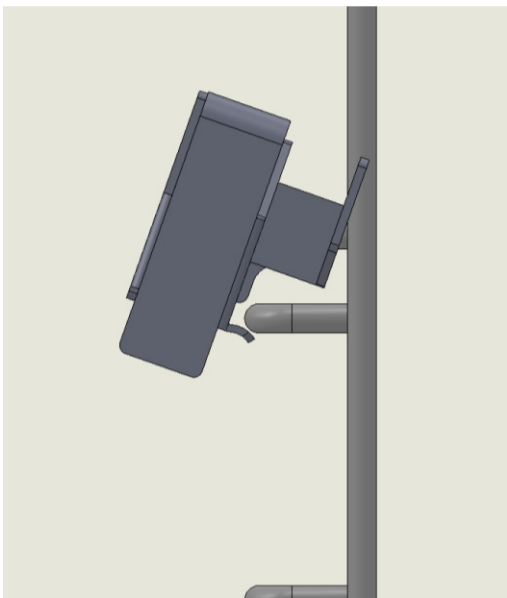
LH SIDE



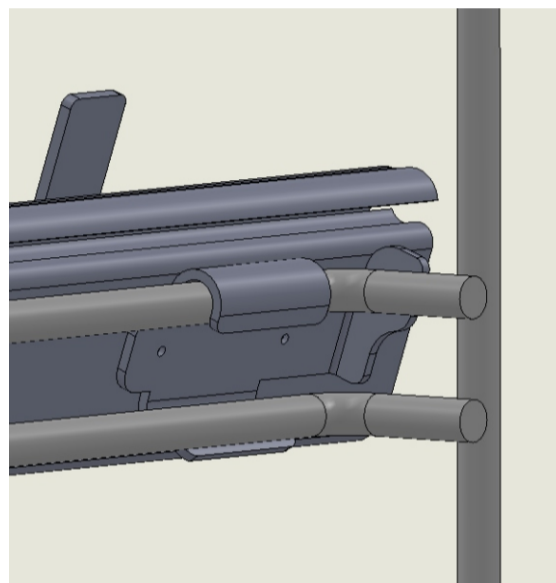
RH SIDE



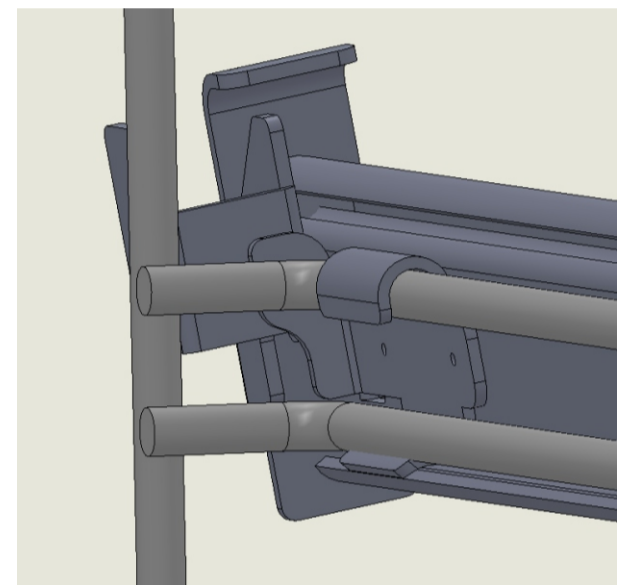
MAKE SURE SLIDERS LH / RH ARE FITTED ON SAME RUNG HEIGHT.



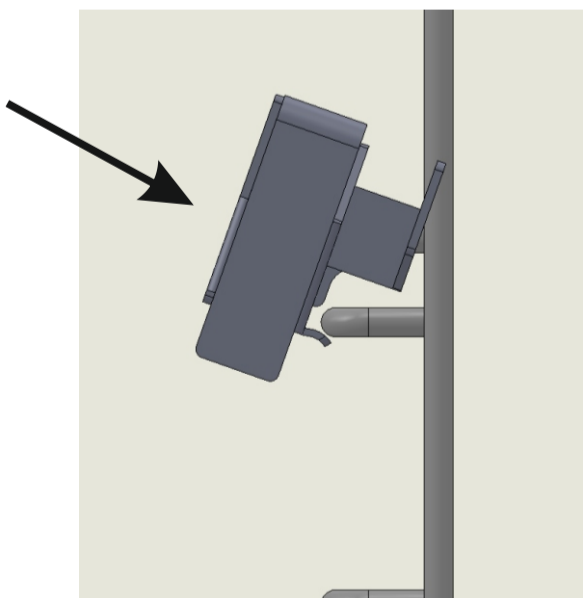
OFFER SLIDER AT A SLIGHT ANGLE TO TOP RUNG OF A PAIR.



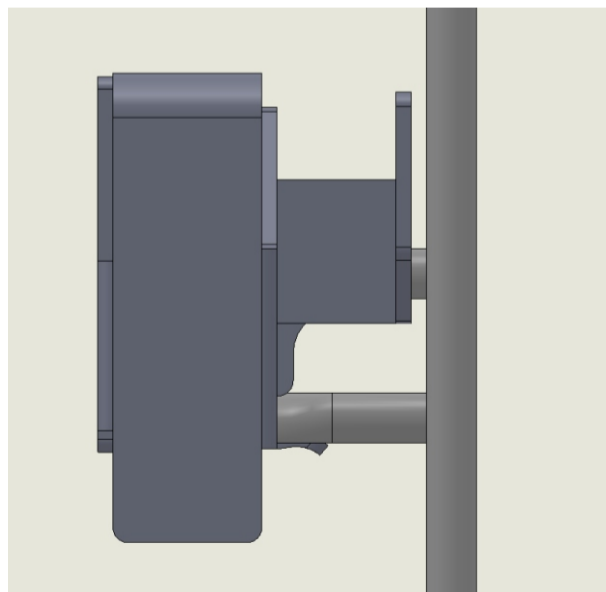
AND HOOK THE BACK CLIP OVER TOP RUNG AS SHOWN.



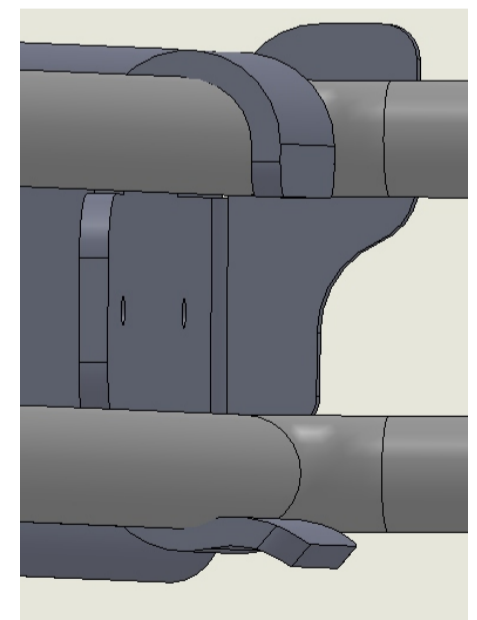
THEN HOOK FRONT CLIP OVER TOP RUNG AS SHOWN.



PRESS FIRMLY AS ARROW SHOWS.



THERE SHOULD BE A POSITIVE LOCATION.

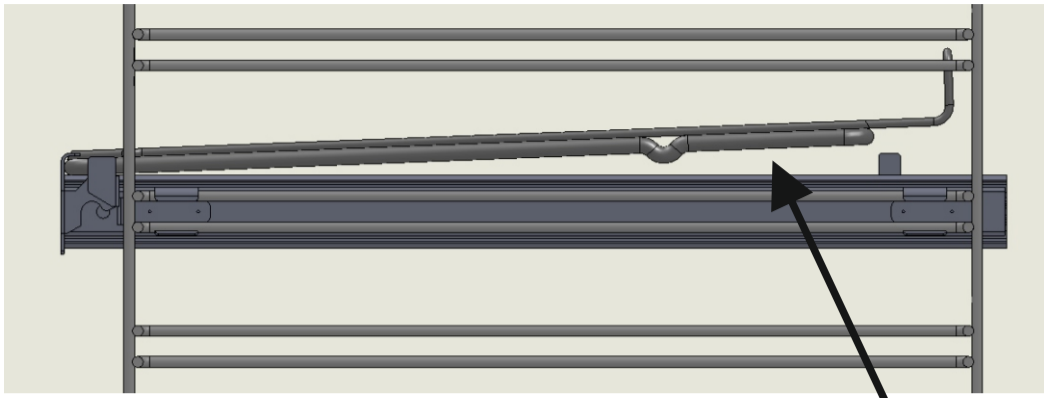


HOOKED OVER TOP RAIL AND CLIPPED UNDER BOTTOM RAIL.

DO NOT FIT TO TOP RUNG PAIR.

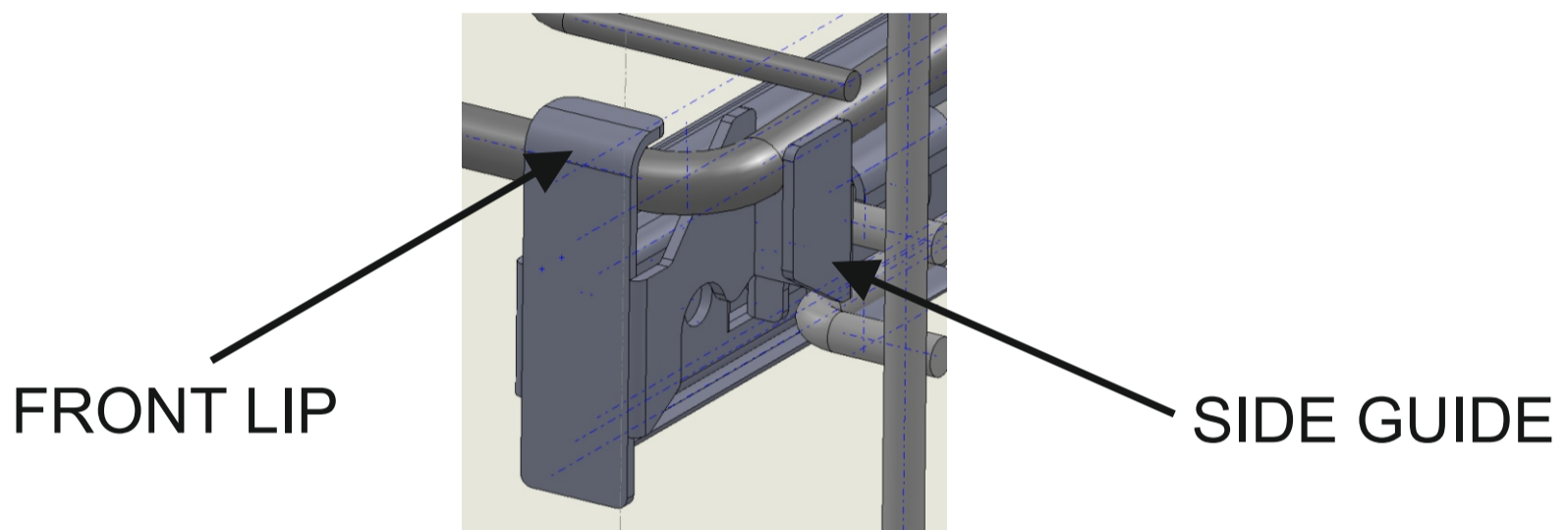
DO NOT PUT IN DISHWASHER

FIT SHELF INTO SLIDERS



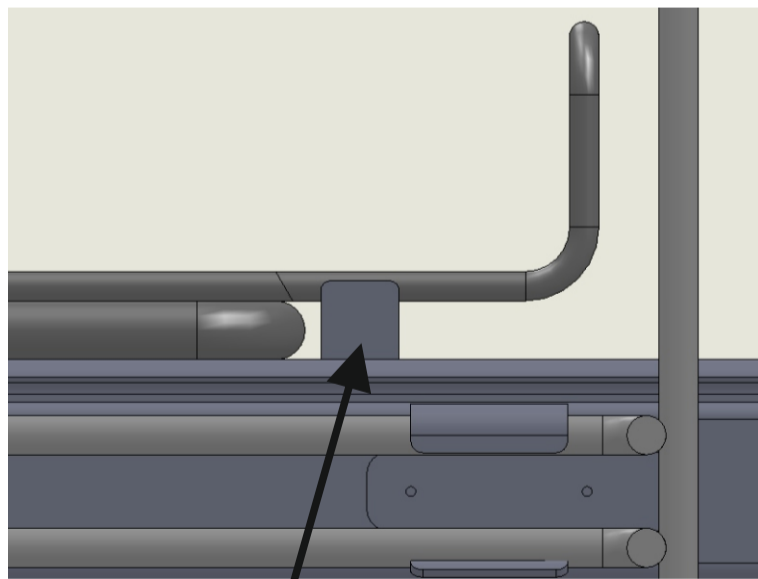
SLIGHT ANGLE

WITH A SLIGHT ANGLE AS SHOWN, MANOEUVRE BACK INTO SIDE GUIDE AND UNDER FRONT LIP.



FRONT LIP

SIDE GUIDE

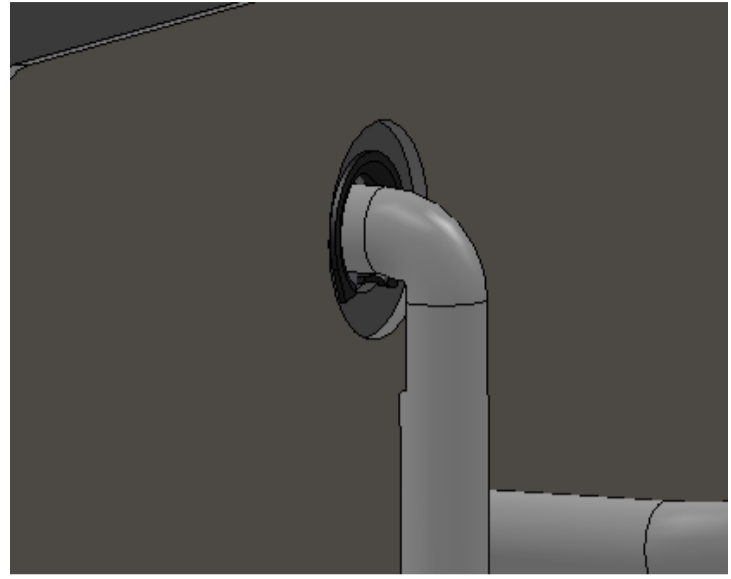
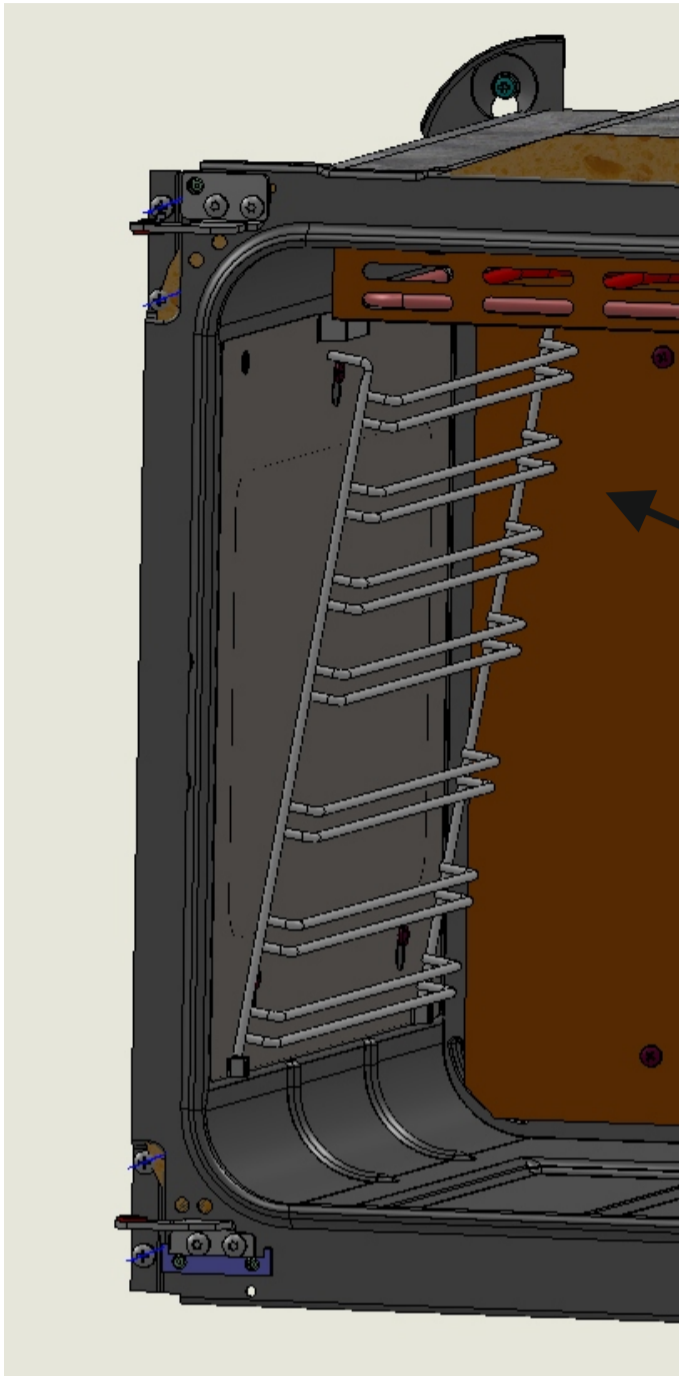


BACK STOP

SHELF SHOULD SIT IN FRONT OF BACK STOP.

NOTE
IF SHELF DOES NOT SIT FLAT
REFIT SLIDERS.

FITTING SLIDERS



PUSH IN / PULL OUT

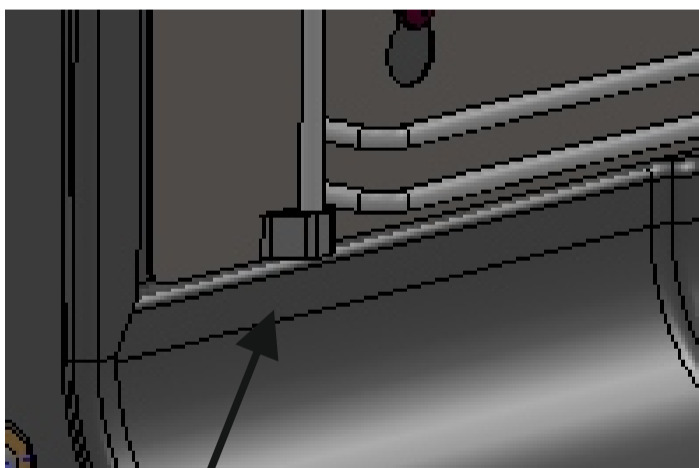
TO FIT OVEN LADDERS
PLACE BOTTOM OF LADDERS
INTO THE TWO LOCATORS.

THEN FIRMLY PUSH TOP OF
LADDERS INTO HOLES IN
SIDE.

SHOULD BE A POSITIVE
LOCATION.

TO REMOVE OVEN LADDERS
PULL FIRMLY OUT OF SIDE HOLES.

LIFT FROM LOCATORS.



LOCATORS