

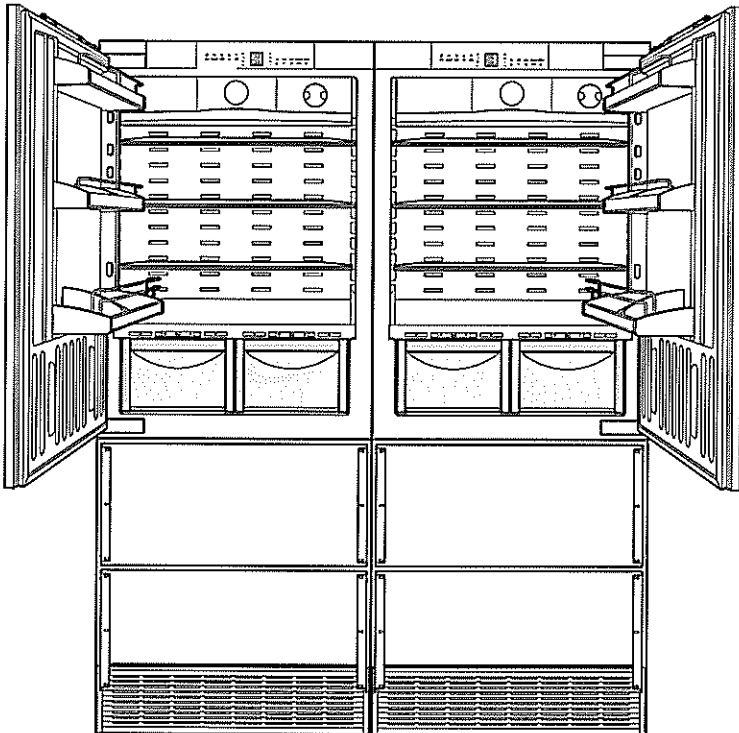
# LIEBHERR

## Side by Side Installation

Seite 2 - 12

## Side by Side installation

page 14 - 24



7083 343-00

## Parts list of SBS Installation Kit

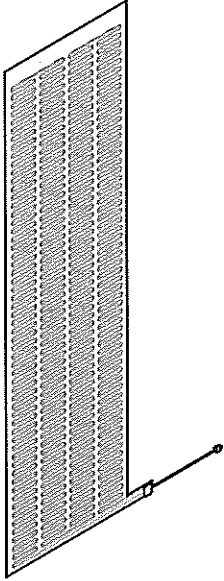
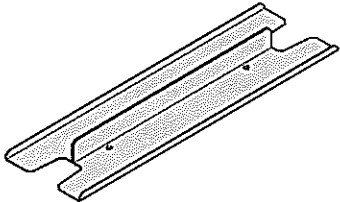
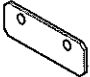
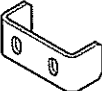
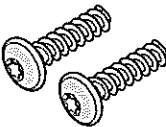
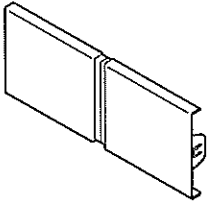
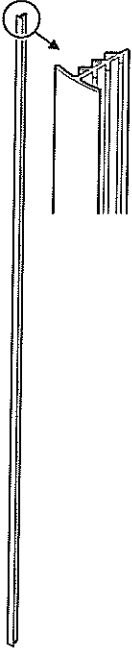
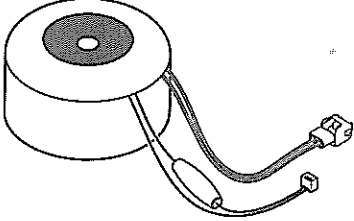
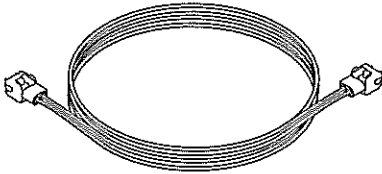
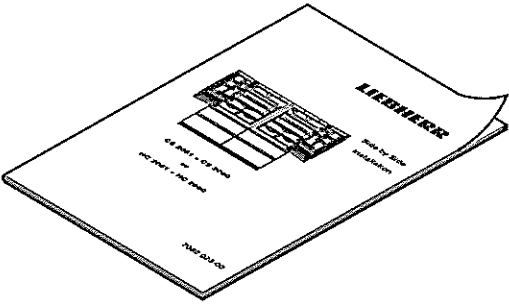
Image	Article number	Name of the item
	6943 651-00	Heating blanket
	9005 441-00	Guide plate
	9693 583-00	Top connecting plate
	9693 585-00	Bottom angle bracket
	4098 066-01	Pan head screws 6 x 25
	9190 171-00	Top cover

Image	Article number	Name of the item
	7641 503-00	Sealing strip
	9900 035-00	Transformer
	9407 601-00	Connection cable (from transformer to heating blanket)
	7083 343-00	Installation manual

## Side by Side (SBS) Installation



The Side by Side installation should only be done by suitably qualified individuals.

1. Mount the anti tipping brackets for both appliances.

Refer to chapter

### Mounting the anti tipping device

in the installation instructions.

2. Remove the protective foil of the double-sided adhesive strips on the bottom of the guide plate.

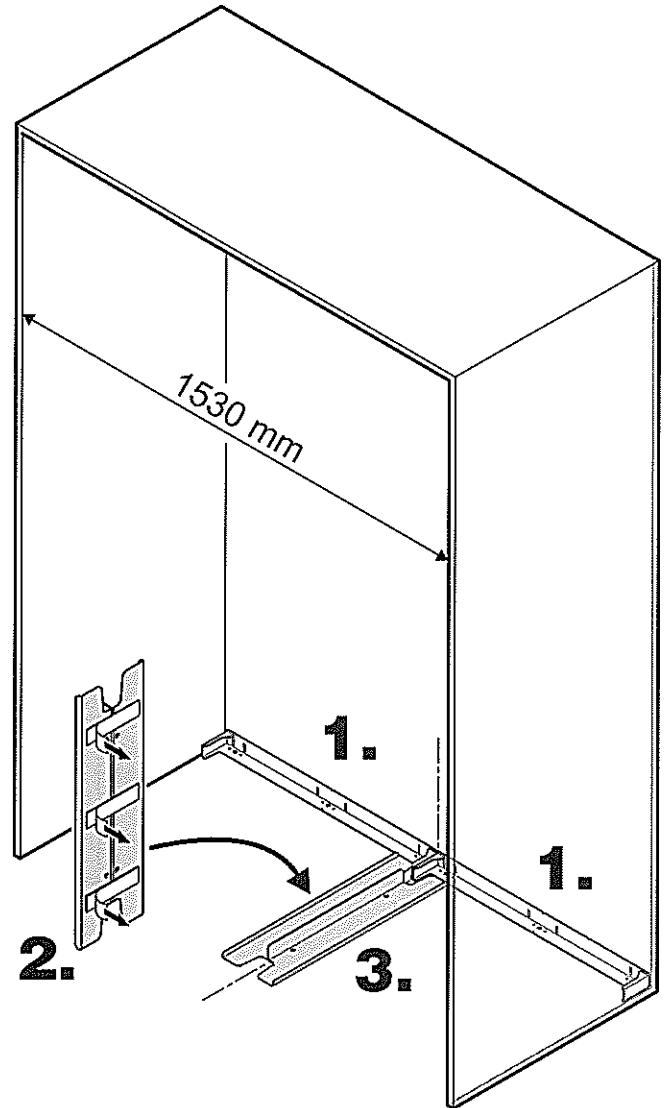
### IMPORTANT

Make sure, that the floor is clean (dust and grease free), for the adhesive tape.

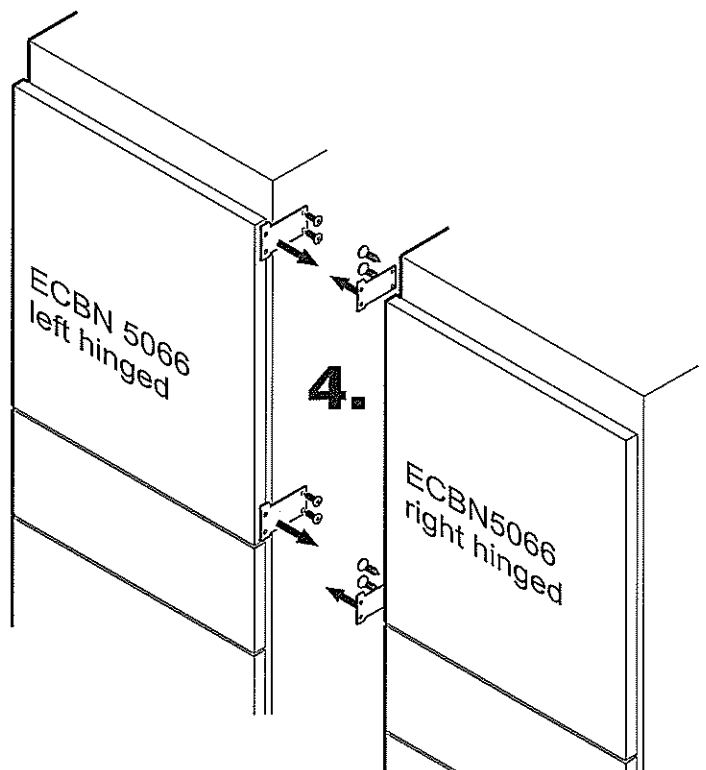
3. Adhere the guide plate on the floor. The rear edge of the plate must have contact with the anti tipping brackets. Mark a center line on the floor as illustrated and align the center of the guide plate with this line.

### NOTE

The guide plate may also be fastened with screws through any hole wherever. The screws are not provided with the appliance or the kit.



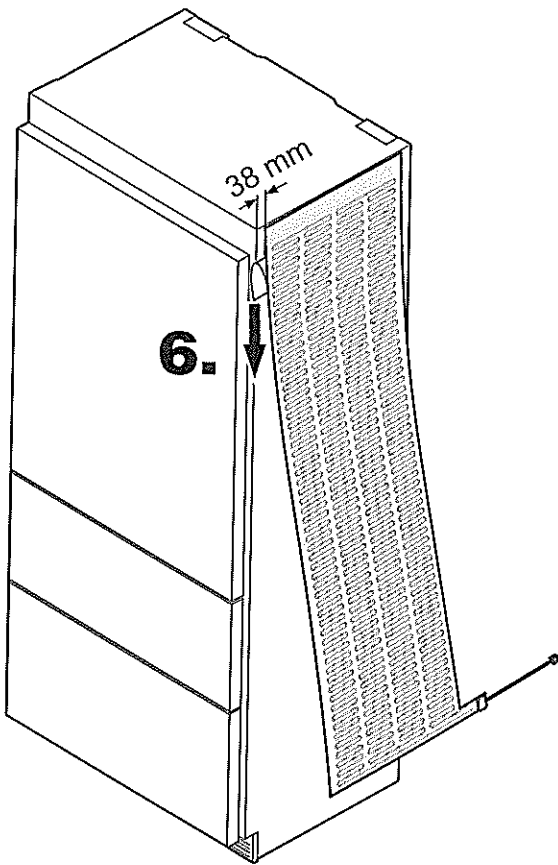
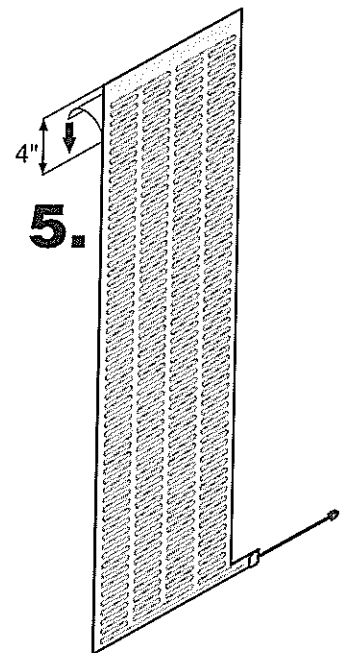
4. Remove the center supports.



- Loosen the protective foil of the heating blanket top. Pull down the foil for approx. 100 mm.

**IMPORTANT**

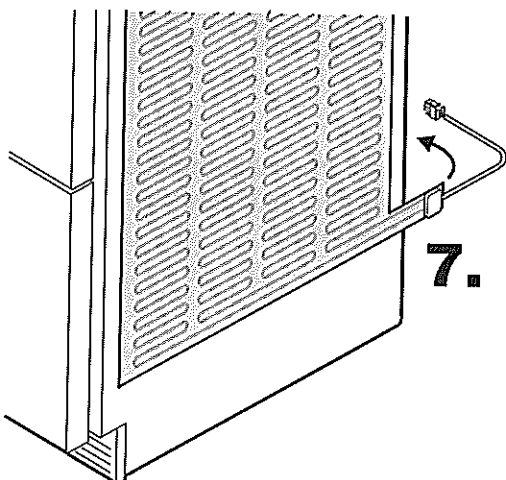
Do not remove the protective foil completely.



- Adhere the heating blanket on the top of the left unit.  
Upper edge of blanket flush with the appliance top.  
Front edge of blanket 38 mm from the appliance housing backwards.  
Remove the protective foil a bit at a time as you go and flatten the heating foil top down.

**IMPORTANT**

There should be no air pockets between heating foil and appliance wall.

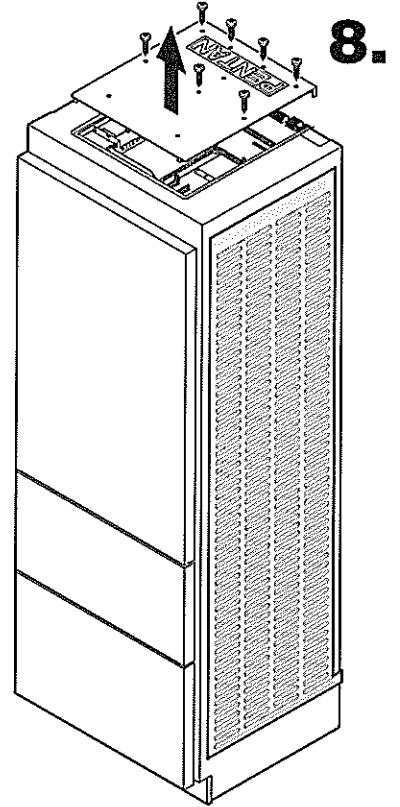


- Bend the lower tongue of the heating blanket around the corner and adhere to the back of the appliance.

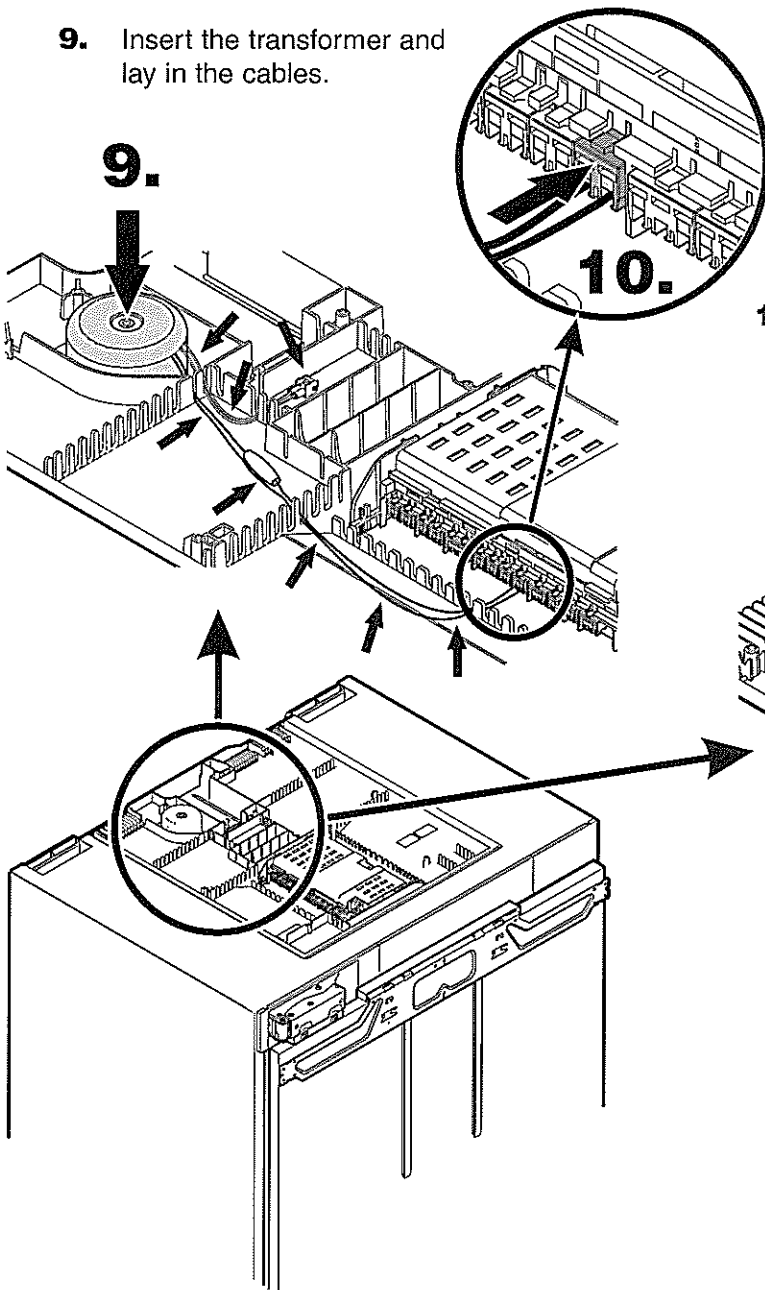
**NOTE**

Heating blanket only has 17 W, so no heat can be felt after installation.

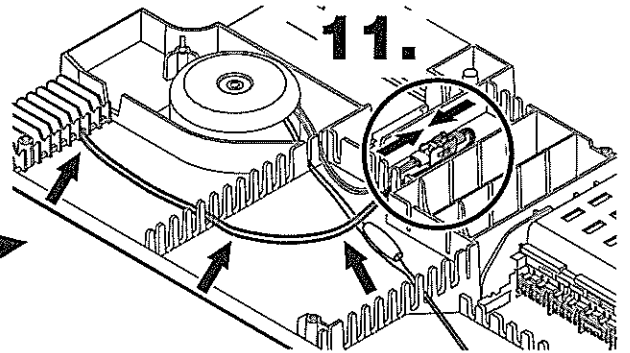
**8.** Remove the top cover.



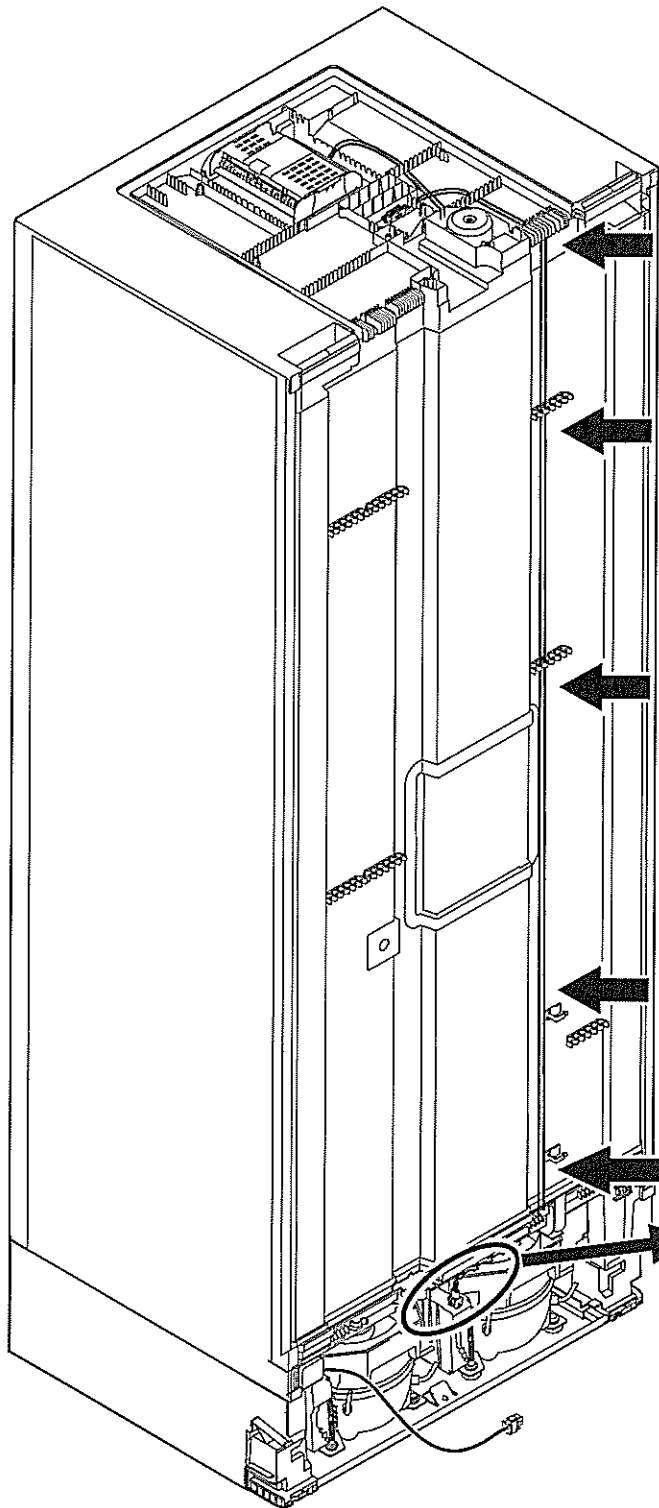
**9.** Insert the transformer and lay in the cables.



**10.** Connect the black cable in the **green** marked plug-in position.

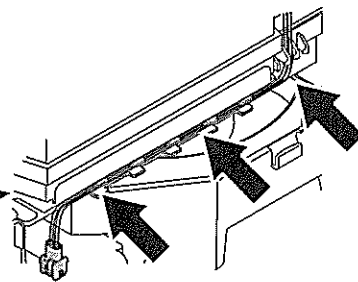


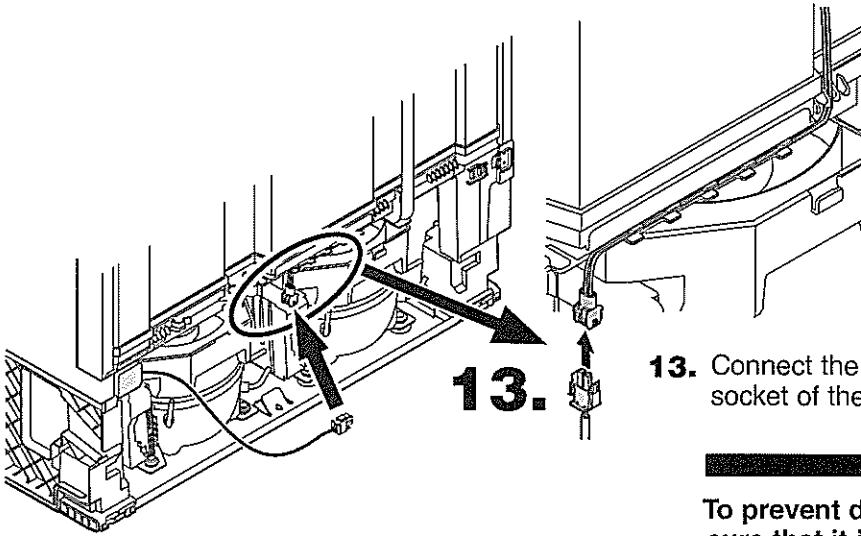
**11.** Connect the cable provided with the transformer and insert as shown in the illustration.



**12.**

**12.** Install the cable on the appliance rear as shown in the illustration.



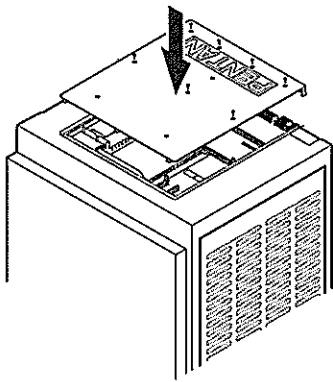


**13.** Connect the cable of the heating blanket with the socket of the connection cable.

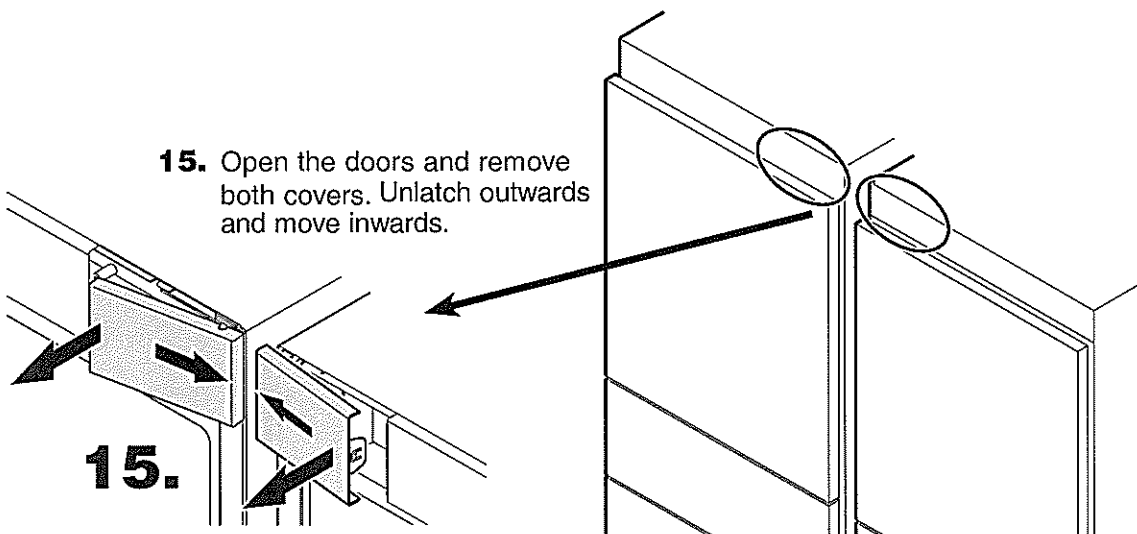
**CAUTION!**

To prevent damage to the heater cable, make sure that it is not laying on the floor. Lay the cable inside the compressor compartment.

Do not lay the cable inside the evaporation tray of the compressor!



**14.** Position the top cover and screw into place.

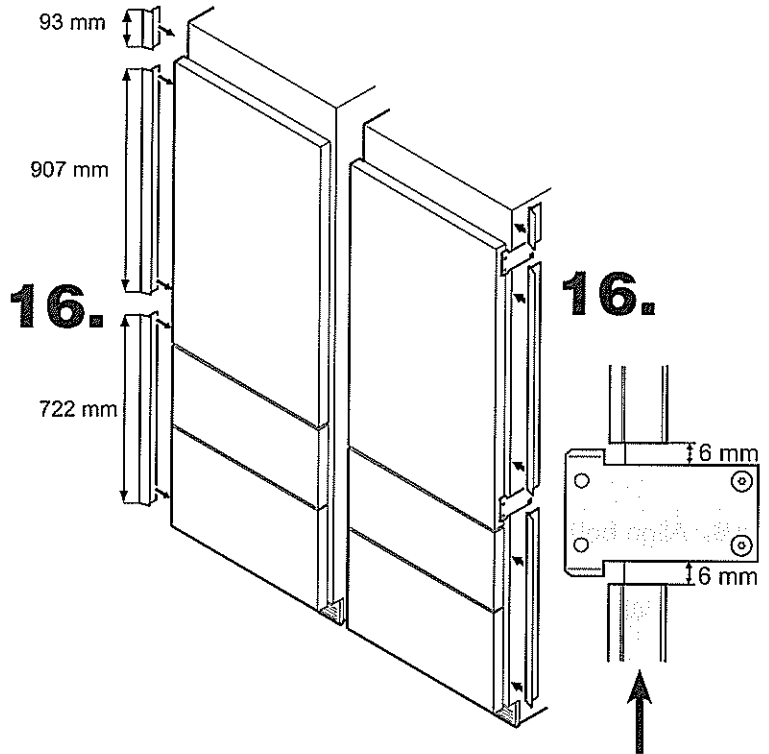


**15.** Open the doors and remove both covers. Unlatch outwards and move inwards.



**16.** Apply cover strips above, between and below the securing plates on the left and on the right side wall.

Cut the cover strips to the length as shown using a pair of heavy duty scissors or a utility knife.



Adhere the cover strips leaving a gap of 6 mm to each securing plate to prevent interference when installing the covers.

**17.** Move the left appliance in front of the recess.  
Move the mains plug to the area of the mains socket.

**WARNING!**

**Do not connect to the mains before the installation is completed.**

Insert the water supply line for the ice maker into its intended opening of the appliance.

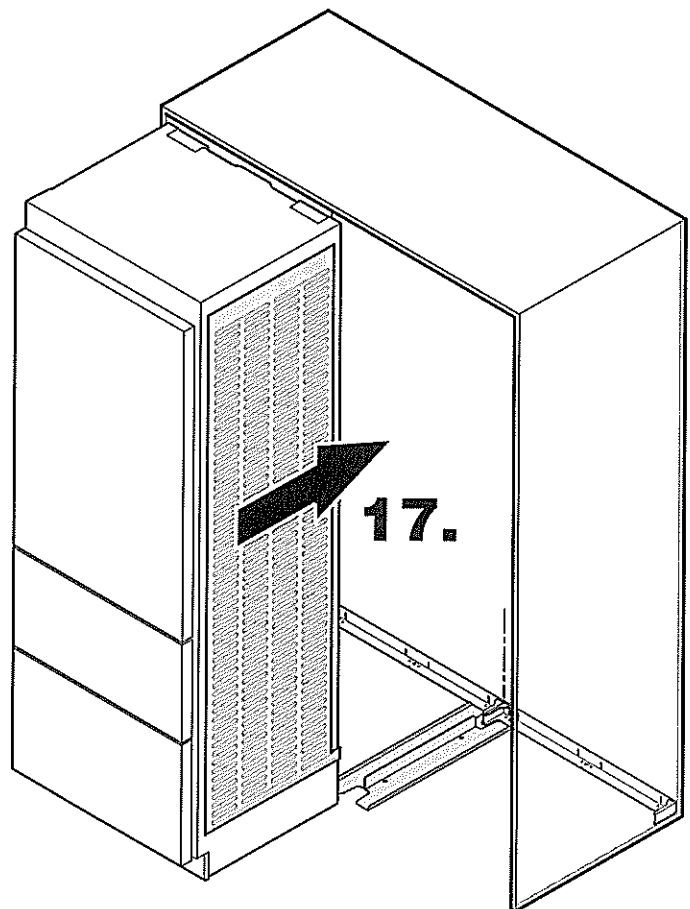
Refer to chapter

**Connection to the water supply** in the installation instructions of the appliance.

Slide the appliance into the recess.

Be sure the appliance castors runs in the intended rail of the guide plate.

Install the right appliance in the same way.

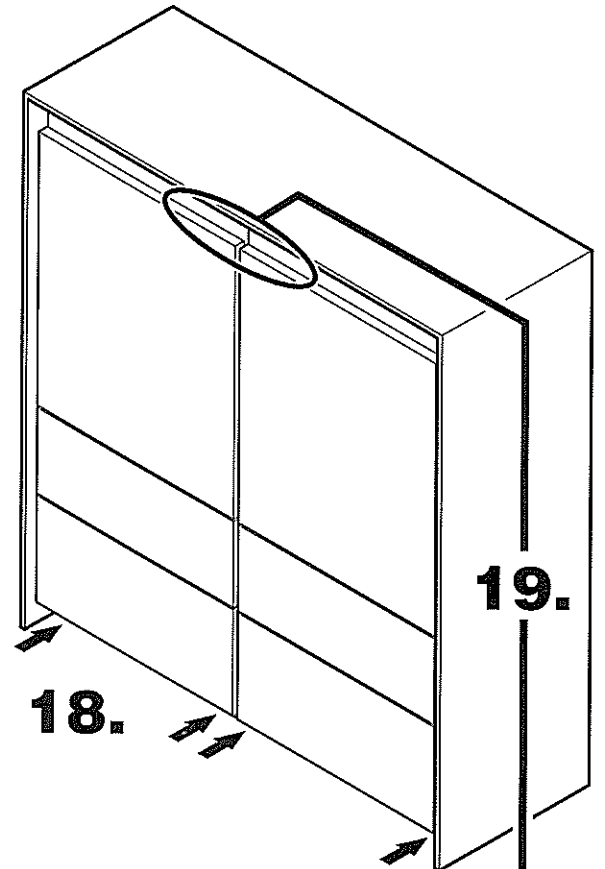


**18.** Align both appliances.

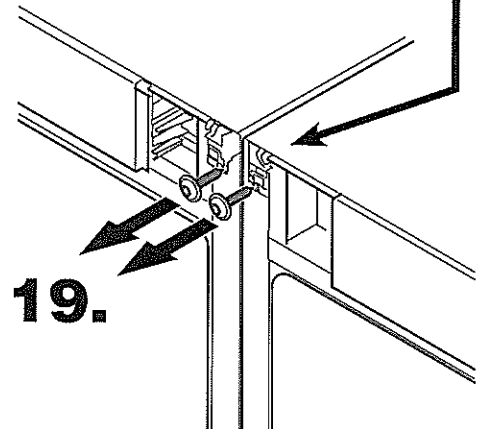
Refer to chapter **Leveling the appliance** in the installation instructions.

**IMPORTANT**

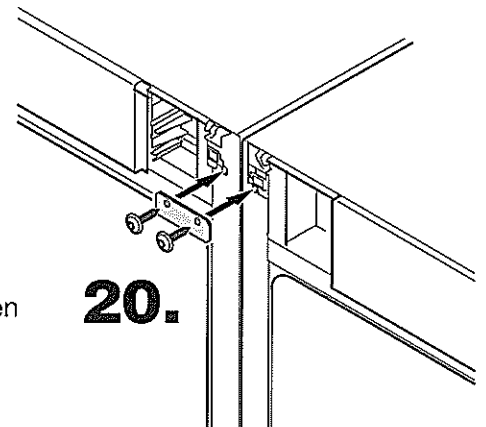
The appliances must be in line at the front and in height and must be aligned vertical.



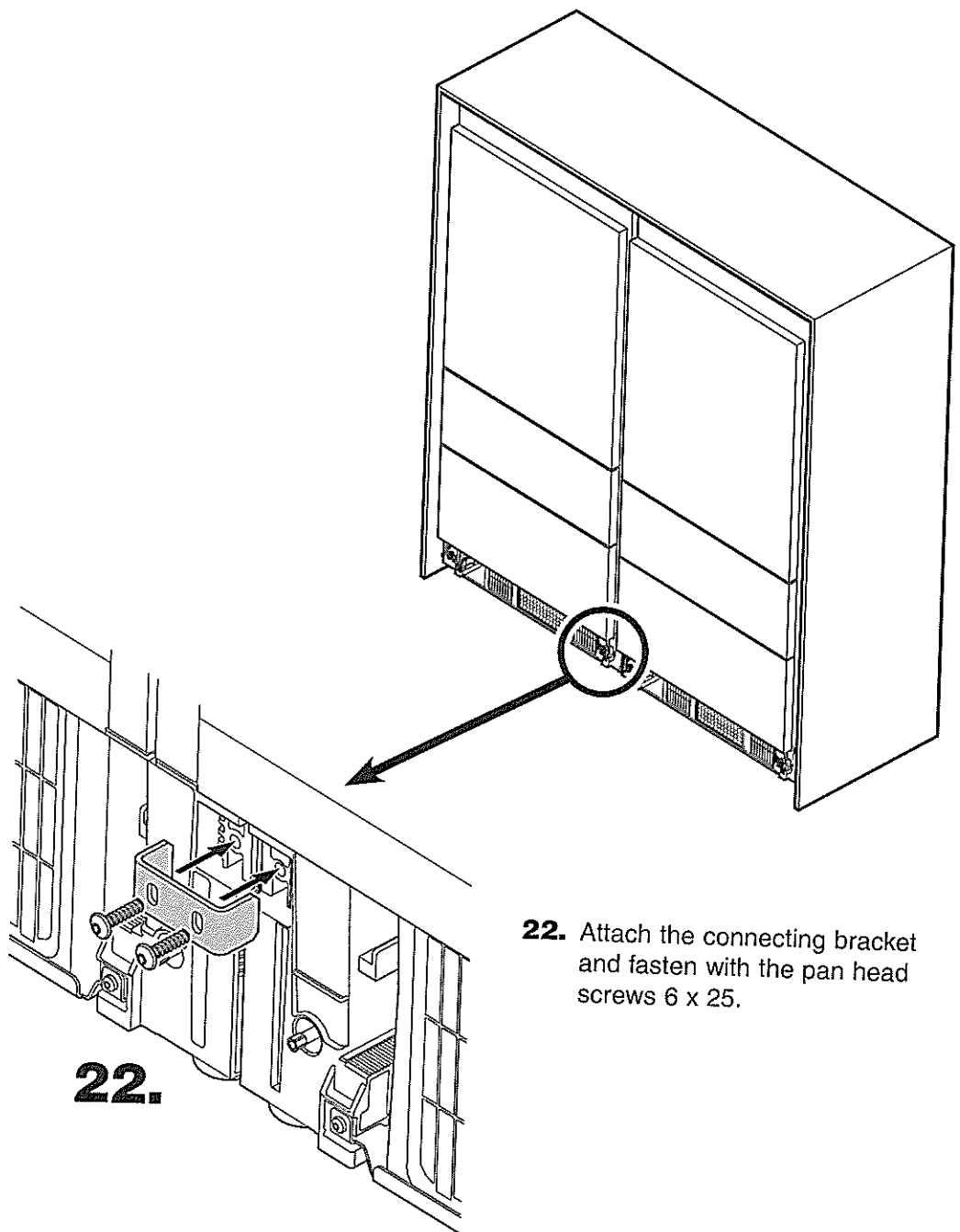
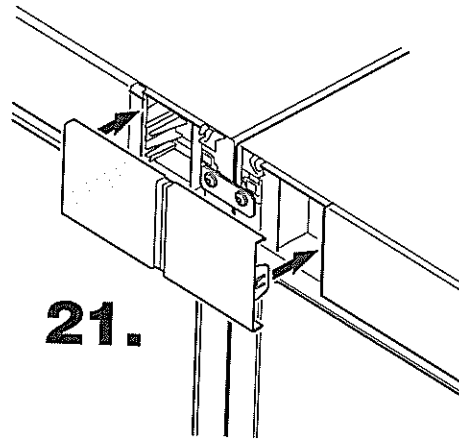
**19.** Open the doors and remove the screws. These screws are needed in the next step.



**20.** Attach the connecting plate and fasten with the screws of step 19.

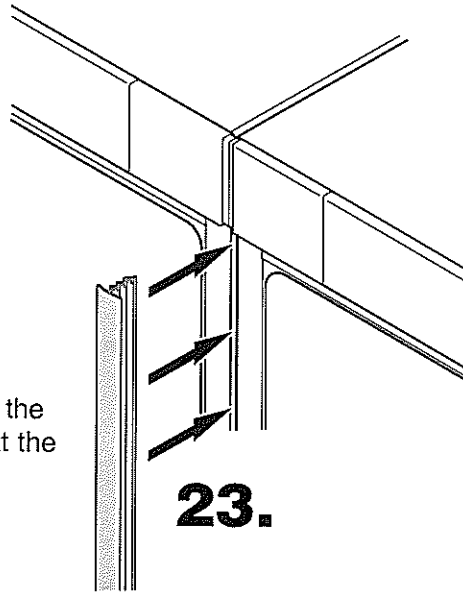


**21.** Click the cover into place.



**22.** Attach the connecting bracket and fasten with the pan head screws 6 x 25.

- 23.** Open the doors and press the sealing strip into the gap at the front.



Complete the Side by Side installation considering the following chapters in the installation instructions.

- 24. Connection to the water supply** (from passage 5 - 9)
- 25. Fastening the appliance in the recess**
- 26. Mounting the ventilation grille**
- 27. Removing the mounting accessories from the refrigerator door and freezer drawer panels**
- 28. Mounting the attachment brackets onto the door panels**
- 29. Mounting the refrigerator door panel**
- 30. Mounting the freezer drawer panels**

