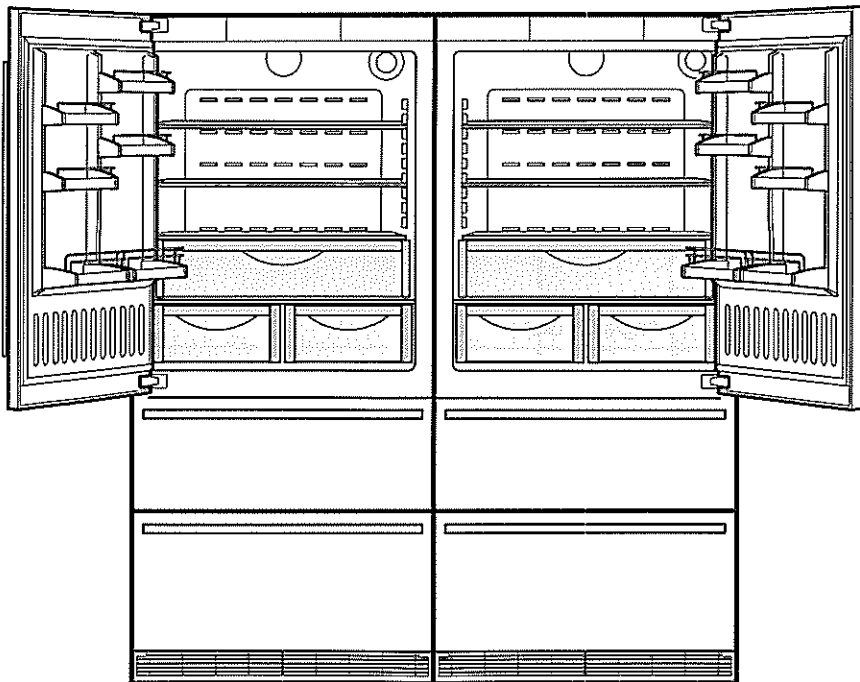


LIEBHERR

Side by Side Installation



CS 2061 + CS 2060
or
HC 2061 + HC 2060

7082 023-00

Parts list of SBS Installation Kit

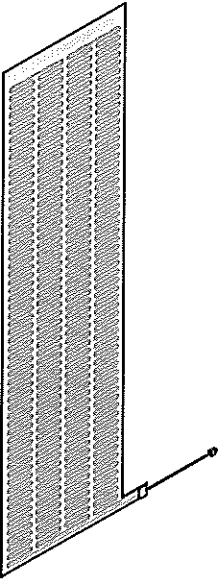
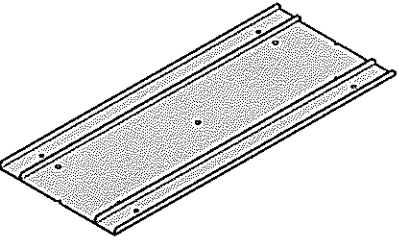
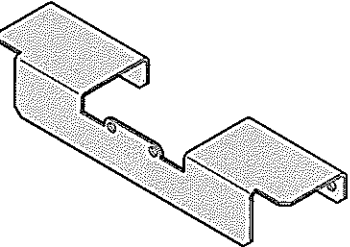
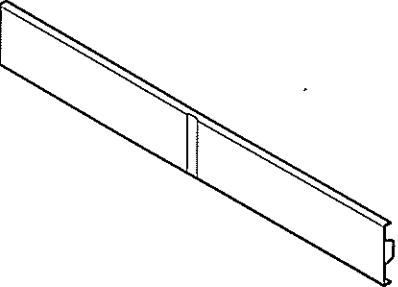
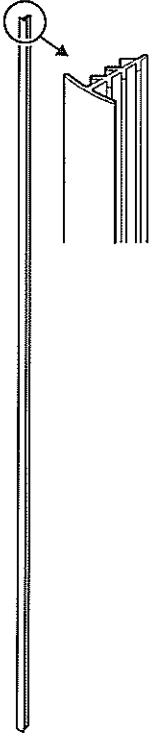
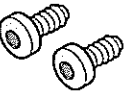
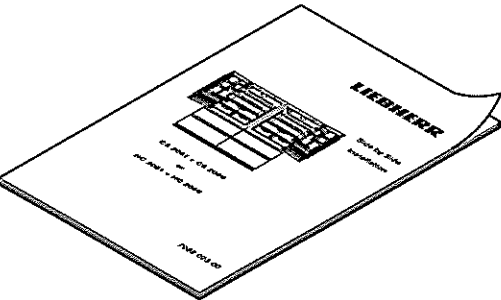
Image	Article number	Name of the item
 A rectangular heating blanket with a grid of small holes and a small electrical plug at the bottom right corner.	6943 651-00	Heating blanket
 A rectangular metal plate with a raised edge on one side and four screws along the top edge.	9041 321-00	Guide plate
 An L-shaped metal bracket with a central slot and two screws on the inner side.	7745 045-00	Angle bracket
 A long, thin metal strip with a central slot and a small notch at one end.	9190 201-00	Top cover

Image	Article number	Name of the item
	7641 503-00	Sealing strip
	4084 005-01	Metric screws M 6 x 13
	7082 023-00	Installation manual

Other parts used in this installation manual are supplied with the appliance, not with the SBS Kit.

Side by Side (SBS) Installation

CAUTION

The Side by Side installation should only be done by suitably qualified individuals. We recommend this procedure be done by two people.

NOTE

This installation instruction is applicable for CS (freestanding) and HC (fully integrated) appliances. Drawings assume placement of appliances in cabinetry. There are no separate drawings for freestanding applications.

1. Remove the protective foil from the outside of both appliances (CS 2060 and CS 2061 only).

2. Mount the anti tipping brackets for both appliances.

Refer to chapter

Mounting the anti tipping device

in the installation instructions.

3. Remove the protective foil of the double-sided adhesive strips on the bottom of the guide plate. The guide plate is supplied with the SBS kit.

IMPORTANT

Make sure, that the floor is clean (dust and grease free), for the adhesive tape.

4. Adhere the guide plate on the floor. The rear edge of the plate must have contact with the anti tipping brackets. Mark a center line on the floor as illustrated and align the notches of the guide plate with this line.

NOTE

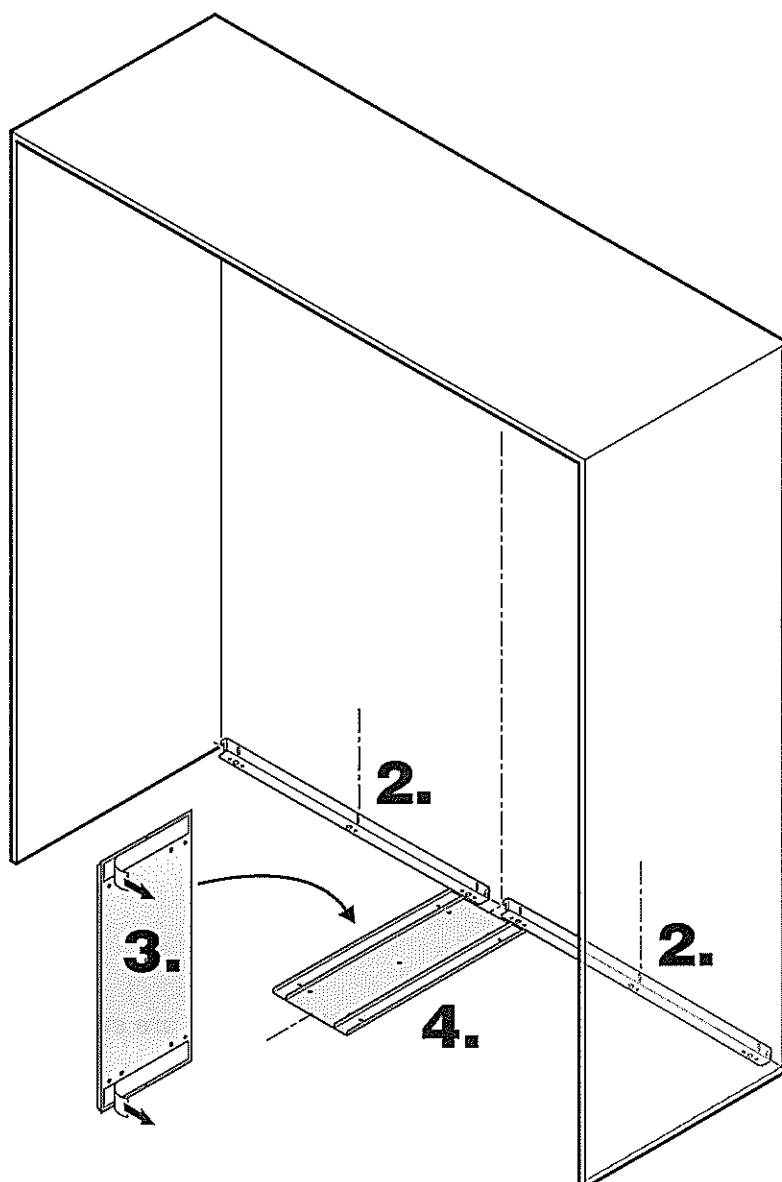
The guide plate may also be fastened with screws through any hole wherever. The screws are not provided with the appliance or the kit.

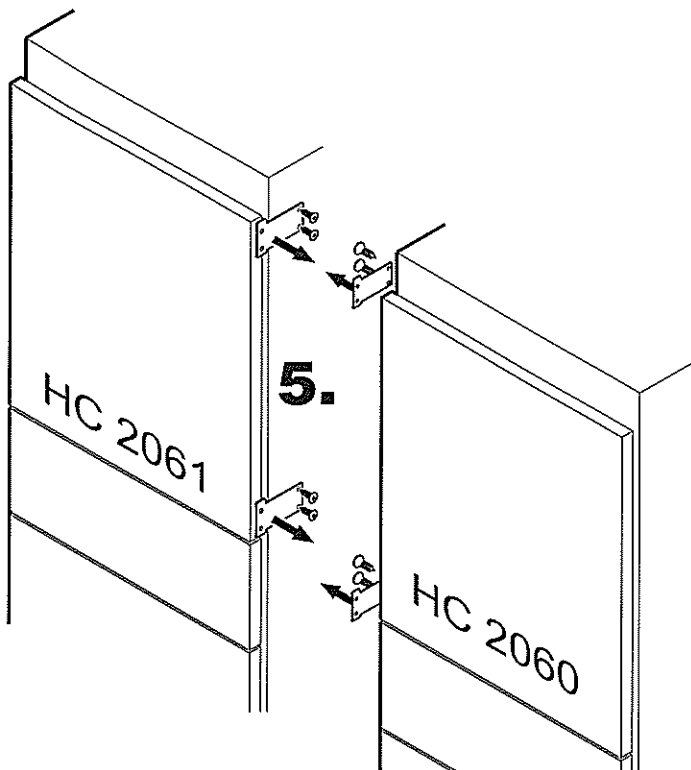
IMPORTANT

The water supply lines for both appliances must be located already in their correct positions as shown in chapter

Cabinet opening dimensions

in the installation instructions or design guide.

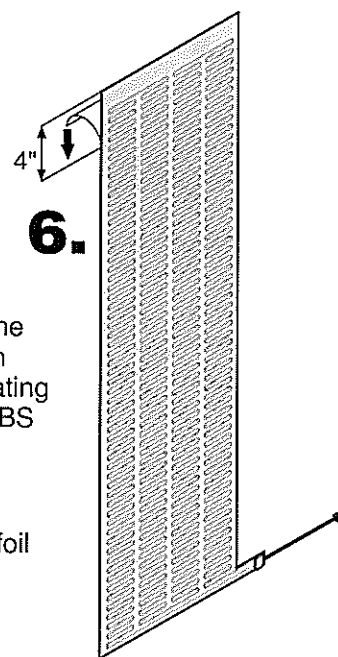




NOTE

Step 5 is for HC (fully integrated) appliances only.

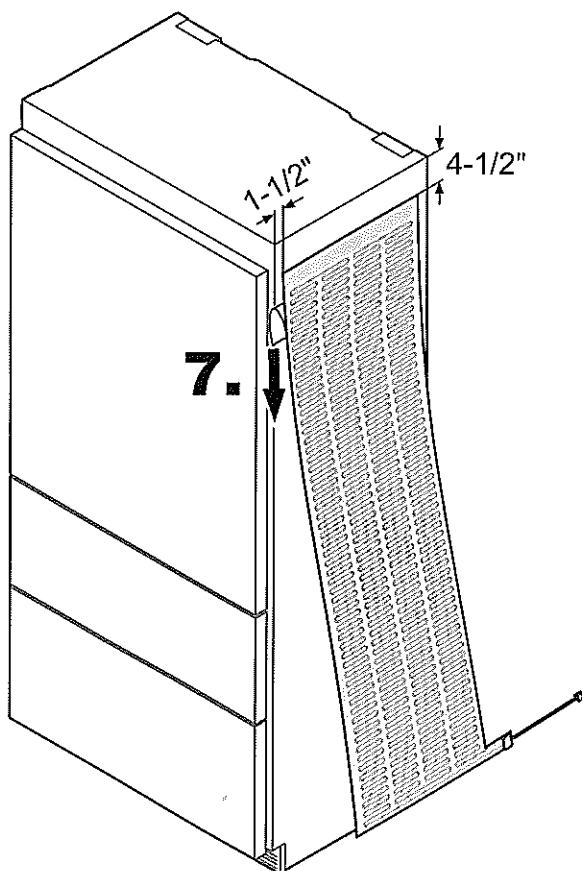
5. Remove the supports on the right of the HC 2061 and on the left of the HC 2060 appliance.



6. Loosen the protective foil of the heating blanket top. Pull down the foil for approx. 4". The heating blanket is supplied with the SBS kit.

IMPORTANT

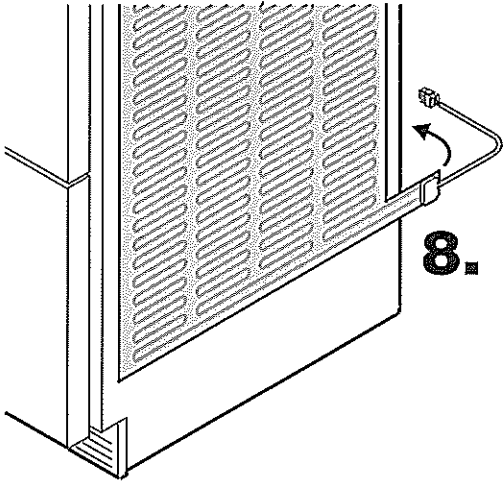
Do not remove the protective foil completely.



7. Adhere the heating blanket on the top of the left unit.
 Upper edge of blanket 4-1/2" from the appliance top.
 Front edge of blanket 1-1/2" from the appliance housing backwards.
 Remove the protective foil a bit at a time as you go and flatten the heating foil top down.

IMPORTANT

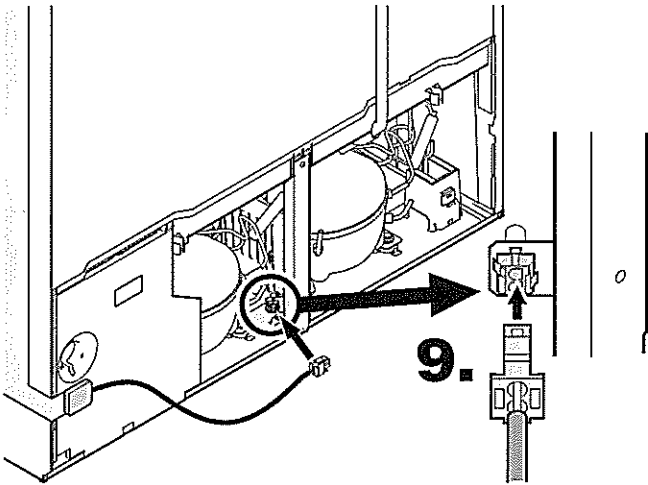
There should be no air pockets between heating foil and appliance wall.



- 8.** Bend the lower tongue of the heating blanket around the corner and adhere to the back of the appliance.

NOTE

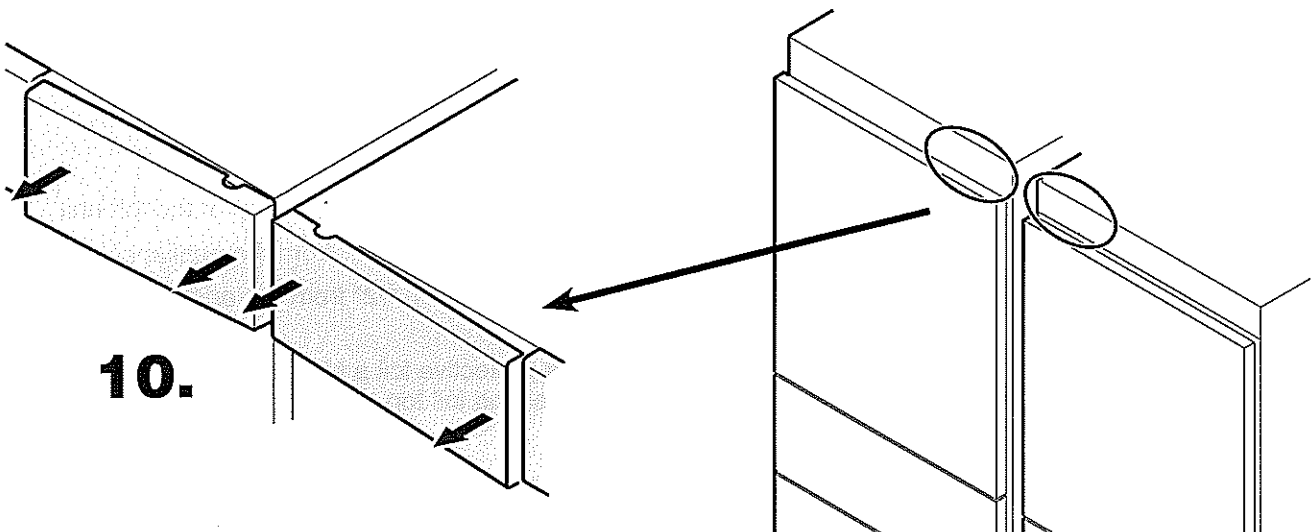
Heating blanket only has 17 W, so no heat can be felt after installation.



- 9.** Connect the cable of the heating blanket with the socket in the compressor compartment.

IMPORTANT

Make sure, that the heater cable is not laying on the floor. Please put the cable inside the compressor compartment.



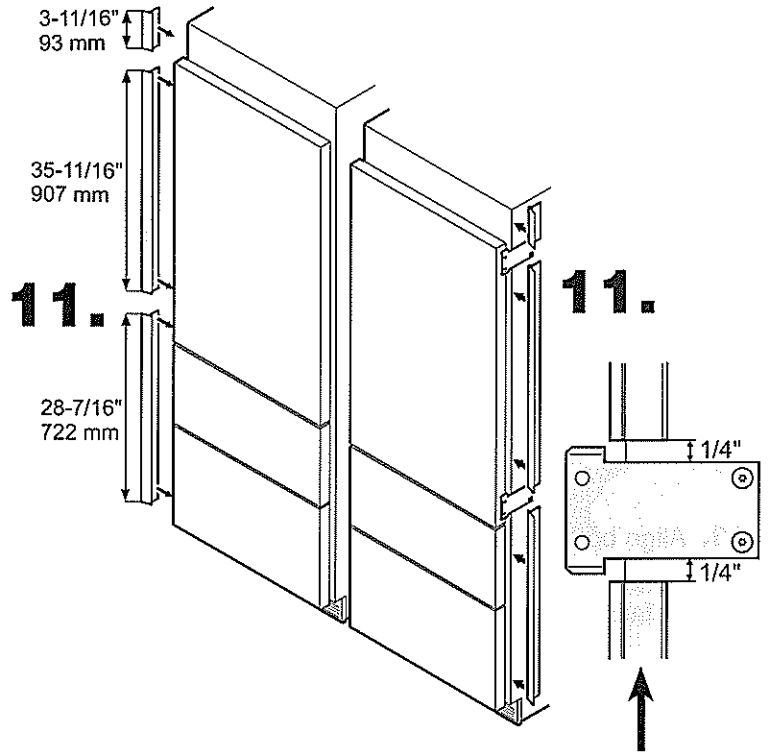
- 10.** Open the doors and remove both covers.

NOTE

Step 11 is for HC (fully integrated) appliances only.

- 11.** Apply cover strips above, between and below the securing plates on the left side wall of the HC 2061 appliance and on the right side wall of the HC 2060.

Cut the cover strips to the length as shown in Step 11 using a pair of heavy duty scissors or a utility knife..



Adhere the cover strips leaving a gap of 1/4" to each securing plate to prevent interference when installing the covers.

- 12.** Move the left appliance (HC 2061) in front of the recess.

Move the power supply line to the area of the electrical outlet.

WARNING!

Do not connect to the electrical outlet before the installation is completed and the water line is connected to the solenoid valve.

Insert the water supply line for the ice maker into its intended opening on the appliance rear.

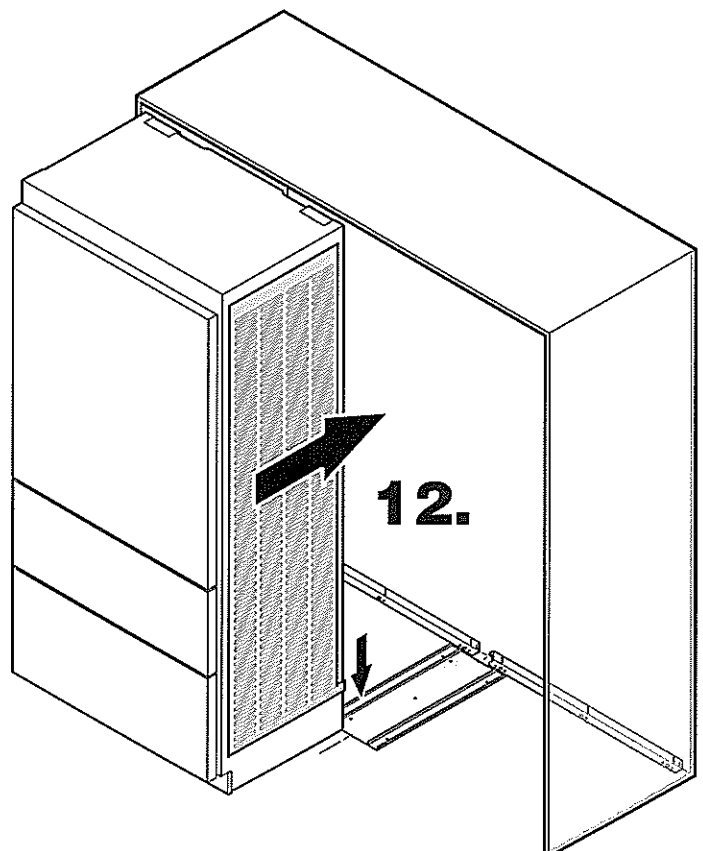
Refer to chapter

Connection to the water supply in the installation instructions.

Slide the appliance into the recess or against the back wall with freestanding applications.

Be sure the appliance castors runs in the intended rail of the guide plate.

Install the right appliance (HC2060) in the same way.

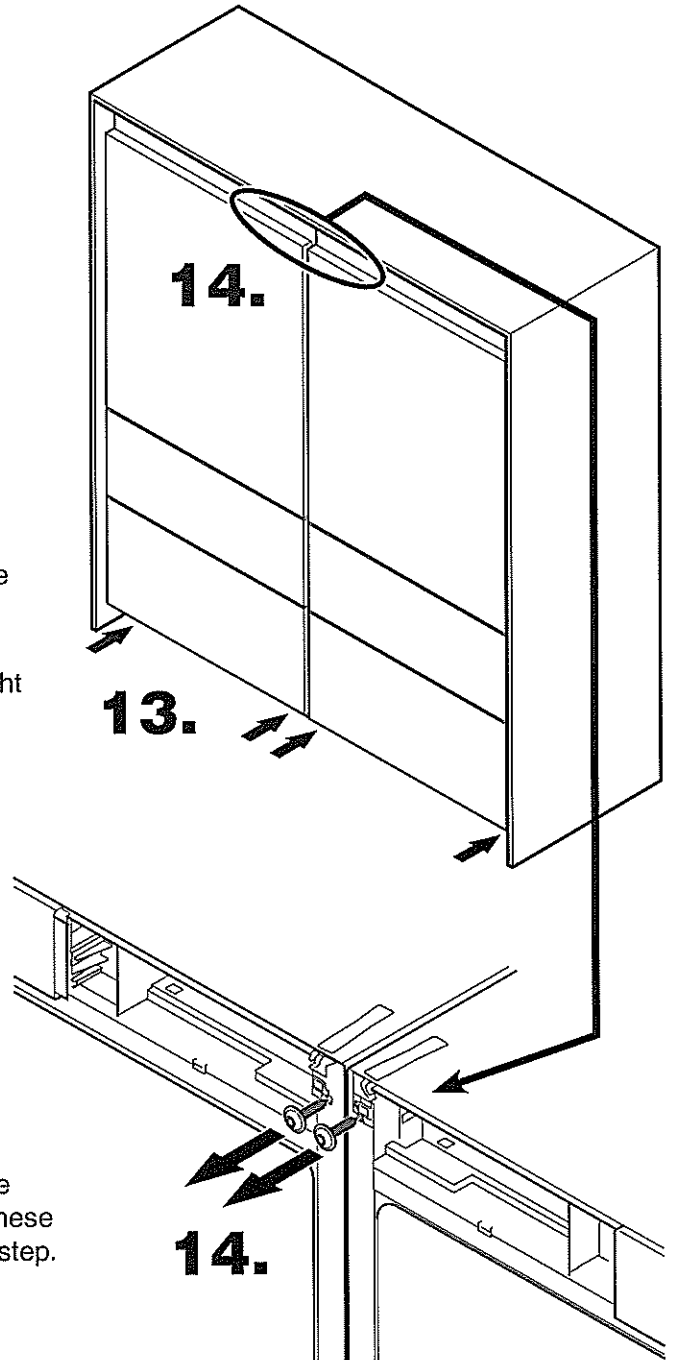


13. Align both appliances.

Refer to chapter **Leveling the appliance** in the installation instructions.

IMPORTANT

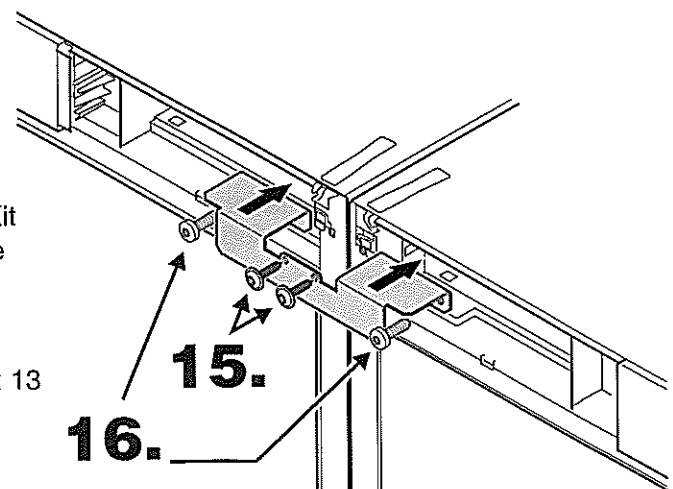
The appliances must be in line at the front and in height and must be aligned vertical.



14. Open the doors and remove the screws as shown in Step 14. These screws are needed in the next step.

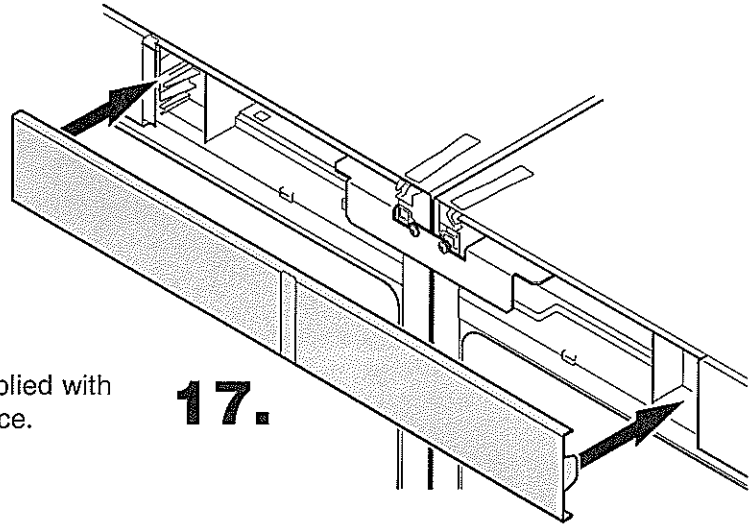
15. Attach the angle bracket supplied with the SBS Kit and fasten with the screws of step 14 through the two center holes.

16. Fasten the bracket at left and right with the M 6 x 13 metric screws supplied with the SBS kit.



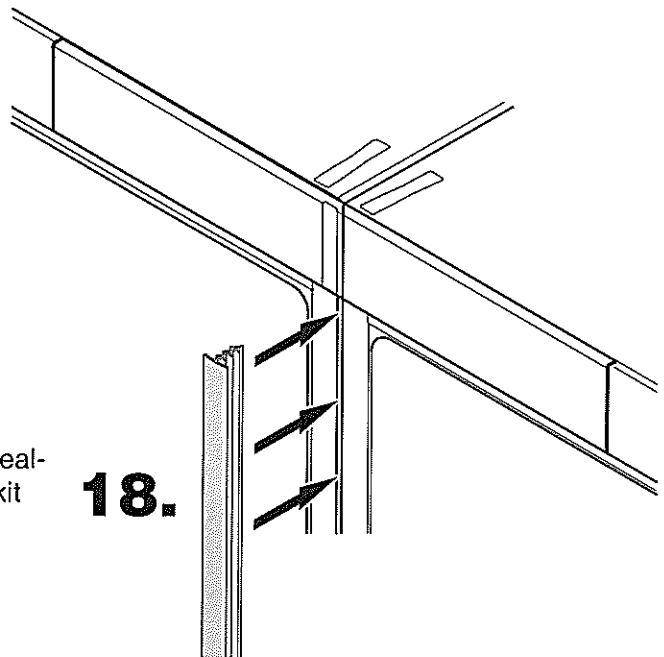
17. Click the cover supplied with the SBS kit into place.

17.



18. Open the doors and press the sealing strip supplied with the SBS kit into the gap at the front.

18.



Complete the Side by Side installation considering the following chapters in the installation instructions.

- 19. Connection to the water supply** (from passage 5 - 9)
- 20. Fastening the appliance in the recess**
- 21. Before mounting the door panels**
- 22. Mounting the attachment brackets onto the door panels**
- 23. Mounting the refrigerator door panel**
- 24. Mounting the freezer drawer panels**
- 25. Mounting the ventilation grille**

Notes