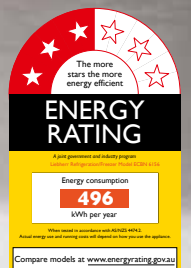


The Spacious Freshness Centre

Quality, Design and Innovation

ECBN 6156



LIEBHERR



Door-on-door technology: Allows custom panels to be affixed directly onto the appliance door so that the hinges are concealed, plus the cabinet and the fridge open as one, ensuring a wide range of design options and easy installation.



IceMaker: Liebherr's automatic IceMaker produces flawless crescent ice and keeps constant supply on hand for every occasion. A water filter ensures pure water for production of clear ice crescents.



BioFresh: BioFresh guarantees the perfect temperature and ideal humidity for much longer freshness. While the DrySafe is perfect for meat, fish, and dairy products, the high humidity in the Fruit & Vegetable-Safe can prevent fruit and vegetables from drying out and helps preserve stored goods for an even longer period.

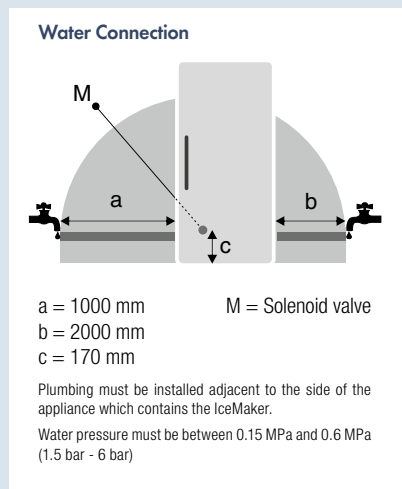
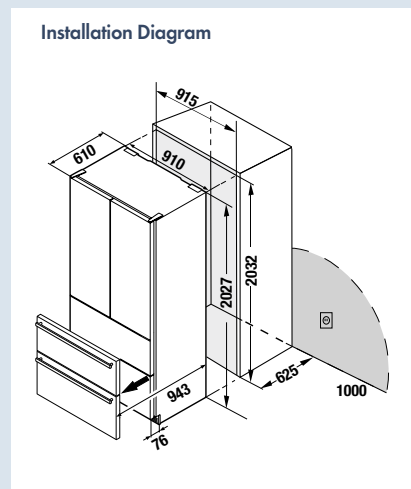
Note: Whilst every effort is made to ensure all specifications and information in this flyer are accurate, Liebherr reserves the right to make changes without notification. Where actual appliance measurements, specifications, and ratings are crucial, we recommend that the actual appliance installation instructions that accompany each appliance be checked. Liebherr will not be liable for any loss.

The 91-cm-wide, built-in fridge-freezer **ECBN 6156** is a real eyecatcher! Available with door-on-door installation that gives customised integration into existing kitchen units, and two freezer drawers that easily extend on premium-quality telescopic rails, this built-in masterpiece is a design highlight for any kitchen. Opt for our stainless steel panels and handles for that extra touch of elegance.

ECBN 6156
PremiumPlus

- Bio Fresh
- No Frost
- Duo Cooling
- Ice Maker

| | |
|--------------------------------------------------------------------|--------------------------|
| Energy consumption (kWh/yr) Star rating | 496 3.0 |
| Compressors | 2 |
| Total Usable Litres | 480 |
| Refrigerator Usable Litres | 295 |
| Freezer Usable Litres | 116 |
| BioFresh Usable Litres | 69 |
| MagicEye control system Display | Touch - Electronic LCD |
| Child proof setting for display & temperature | • |
| PremiumPlus lighting | • |
| DuoCooling | • |
| Sabbath mode | • |
| Temp alarm Door open warning signal Malfunction warning signal | • • • |
| Optional extra stainless steel panel/s & handle/s | • |
| BioFresh drawers on telescopic rails | 2 |
| SuperCool | • |
| GlassLine shelves | • |
| Elegant holding columns | • |
| Bottle shelf | Integrated |
| Automatic refrigerator defrosting | • Frost Free |
| FrostSafe system | • |
| Freezer drawers Ice cube drawer | 2 1 |
| SuperFrost | • |
| 24hr freezing capacity (kg) | 11 |
| IceMaker | • |
| Ice cube capacity (kg/24h) | 1.3 |
| Ice cube stock maximum (kg) | 2.7 |
| Stainless steel hose supplied (m) | 3 |
| Door hinges | Right, reversible* |
| Voltage (V) Rated Current (A) | 220-240 1.5 |
| Made in | Austria |



* Please contact the authorised Liebherr customer service for reversing the door hinge.