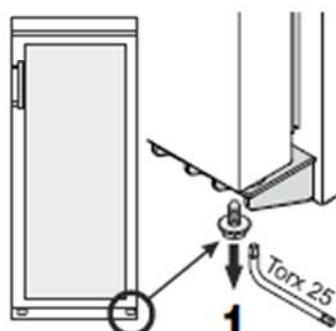


Changing over door hinges

Door hinges should only be changed by a trained expert.

Changing the door hinges must be done by two people.

1. Remove screw from lower hinge bracket.

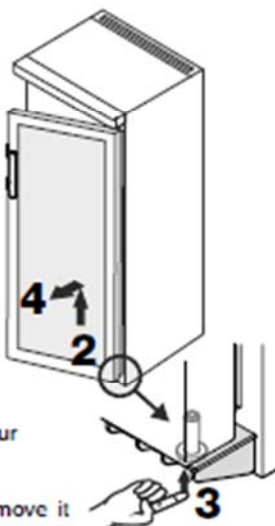


2. Open the door approx. 45° and lift upwards.

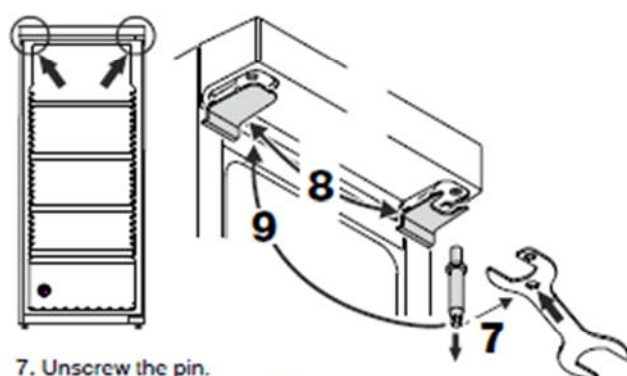
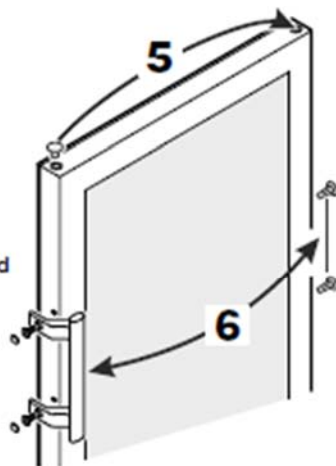
Important

As a result of its heavy weight, the door on models WKb 3212 and WKb 4212 must be raised and removed by one person while the other executes the intermediate steps.

3. Push the pin upwards using your fingertip.
4. Pull the door to the front and remove it downwards.

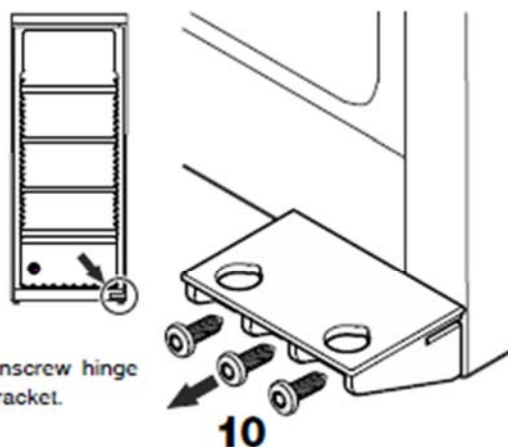


5. Transfer plug.
6. Transfer door handle and plugs to the other side.

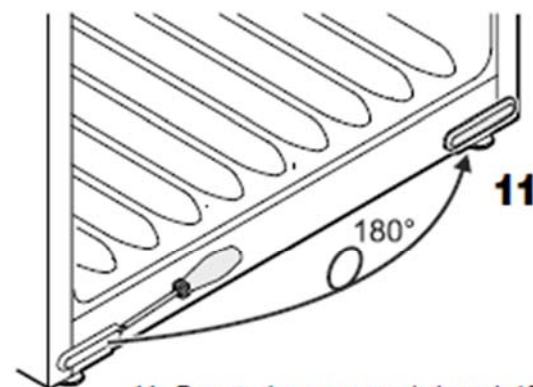


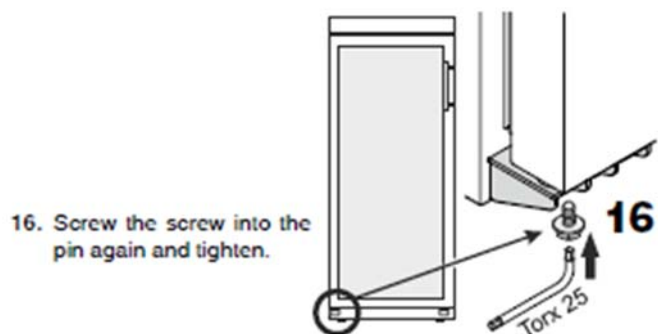
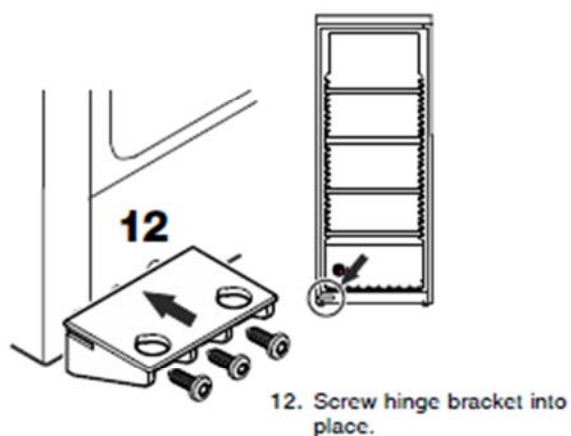
7. Unscrew the pin.
Use the spanner provided.
8. Transfer the covers to the opposite side.
9. Screw in the pin on the opposite side.

10. Unscrew hinge bracket.



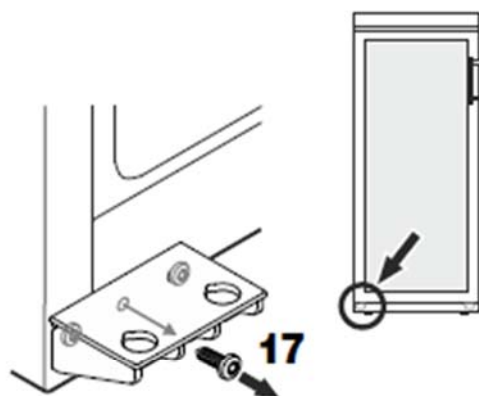
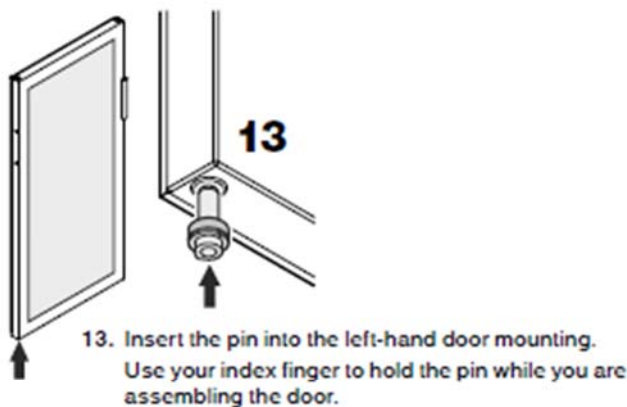
11. Remove the cover, turn it through 180° and re-fit it on the opposite side.





Adjusting the lateral tilt of the door

If the door is at an angle, adjust the angle.



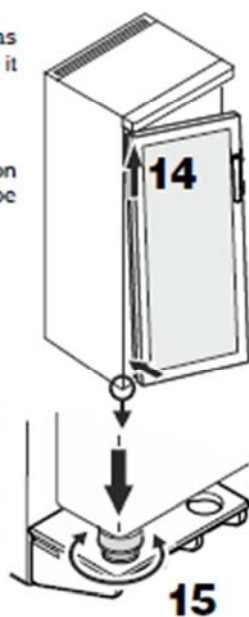
14. Locate the door on the upper pin as shown in the illustration and guide it to the lower hinge bracket.

Important

As a result of its heavy weight, the door on models WKb 3212 and WKb 4212 must be held secure by one person.

15. Lift the door upwards and turn the pin until it fits into the bore hole of the hinge bracket.

Slowly lower the door downwards. The lower part of the pin must be fully engaged in the bore hole of the hinge bracket.



18. Undo screws and slide hinge bracket to the right or left. Tighten screws.

