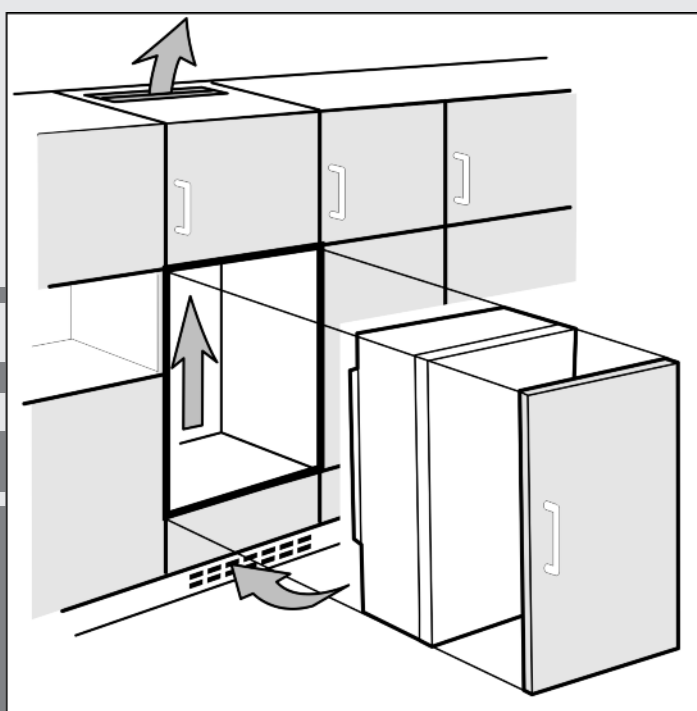


Installation instructions

built-in fridges and freezers, fixed door

EN



20190404 **7088046 - 00**

(S)IK(B/F/P)/ (S)IG(N)/ (S)IB

LIEBHERR

General safety information

Contents

1	General safety information.....	2
2	Transporting the appliance.....	2
3	Installing the appliance.....	2
4	Appliance dimensions.....	3
5	Recess dimensions.....	3
6	Unit door.....	4
7	Ventilation of the kitchen unit.....	5
8	Changing over door hinges.....	5
9	Water connection*.....	6
10	Installing the appliance in the recess.....	6
11	Disposing of packaging.....	7
12	Connecting the appliance.....	7
EN	Illustrated installation instructions.....	8

The manufacturer works constantly on the further development of all the types and models. Therefore please understand that we have to reserve the right to make design, equipment and technical modifications.




To get to know all the benefits of your new appliance, please read the information contained in these instructions carefully.

The instructions apply to several models. Differences may occur. Text relating only to specific appliances is marked with an asterisk (*).

Instructions for action are marked with a ►, the results of action are marked with a ▷.

1 General safety information

- Only install, connect and dispose of the appliance according to the instructions. Take particular note of “Recess dimensions” (see 5) and “Ventilation of the kitchen unit” (see 7).
- The socket must be easily accessible so that the appliance can be quickly disconnected from the supply in an emergency. It must be outside the area of the rear of the appliance.

	DANGER	identifies a situation involving direct danger which, if not obviated, may result in death or severe bodily injury.
	WARNING	identifies a dangerous situation which, if not obviated, may result in death or severe bodily injury.
	CAUTION	identifies a dangerous situation which, if not obviated, may result in minor or medium bodily injury.
	NOTICE	identifies a dangerous situation which, if not obviated, may result in damage to property.
	Note	identifies useful information and tips.

2 Transporting the appliance



CAUTION

Risk of injury and danger of damage as a result of incorrect transport!

- Transport the appliance in a packed condition.
- Transport the appliance upright.
- Do not transport the appliance without assistance.

3 Installing the appliance



WARNING

Risk of fire due to short circuit!

If the mains cable/connector of the appliance or of another appliance touch the rear of the appliance, the mains cable/connector may be damaged by the appliance vibrations, leading to a short circuit.

- Stand the appliance so that it is not touched by connectors or main cables.
- Do not plug the appliance or any others into sockets located near the rear of the appliance.



WARNING

Fire hazard due to dampness!

If live parts or the mains lead become damp this may cause short circuits.

- The appliance is designed for use in enclosed areas. Do not operate the appliance outdoors or in areas where it is exposed to splash water or damp conditions.
- Only use the appliance when it is installed.



WARNING

Fire hazard due to refrigerant!

The coolant used is eco-friendly but also flammable. Any leaking coolant may ignite.

- Do not damage the piping of the refrigeration circuit.



WARNING

Fire hazard and danger of damage!

► Do not place appliances emitting heat e.g. microwaves, toasters etc. on the appliance!

Note

The bags at the rear of the appliance are important for proper operation. Their contents are nontoxic and nonhazardous.*

- Do not remove the bags!

NOTICE

Risk of damage due to condensation!*

When assembling an **appliance name beginning with S...** or a **side-by-side (SBS) appliance**:

- The appliance can be installed next to another refrigerator or freezer.

If your **appliance name does not begin with S...**:

- Do not install the appliance next to another refrigerator or freezer.

NOTICE

Risk of damage due to condensation!*

When stacking multiple **appliances** there is a risk of condensation damage.

Your **(S)IG.. or (S)IB..** is equipped with overhead heating up to a height of **880 mm**.

► Do not stack refrigerators or freezers unless the bottom appliance is your IG.. or IB.. model up to a height of 880 mm.



WARNING

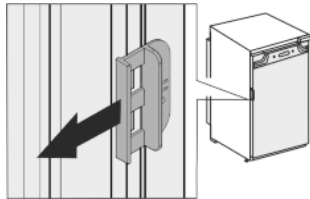
Blocked ventilation openings pose a risk of fire and damage!

► Always keep the ventilation openings clear. Always ensure that the appliance is properly ventilated!

- In the event that the appliance is damaged, contact the supplier immediately before connecting to the mains.
- The floor at the site must be flat and level.
- Do not install the appliance in a location where it is exposed to direct radiation of the sun, next to a cooker, heater and similar.
- Do not install the appliance alone: it is best to work together with two or more people.
- The more coolant there is in the appliance, the larger the room in which the appliance is installed must be. If the room is too small, any leak may create a flammable mixture of gas and air. For each 8 g of coolant the installation space must be at least 1 m³. Information on the coolant is on the model plate inside the appliance.
- If the appliance is installed in a very damp environment, condensed water may form on the outside of the appliance. Always make sure that there is good ventilation - both at air inlet and outlet - at the site of installation.

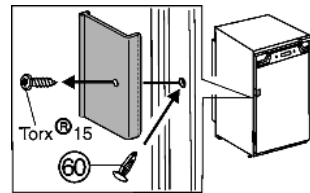
If the transport lock is inserted on the door:

► Pull off red transport lock.



If the transport lock is screwed onto the door:

► Unscrew red transport lock. Close the freed retaining hole with plugs (60).



After installation:

► Remove protective films, adhesive tapes and transport lock parts etc.

Note

► Clean the appliance (see **Operating Instructions, Chapter "Cleaning the appliance"**).

4 Appliance dimensions

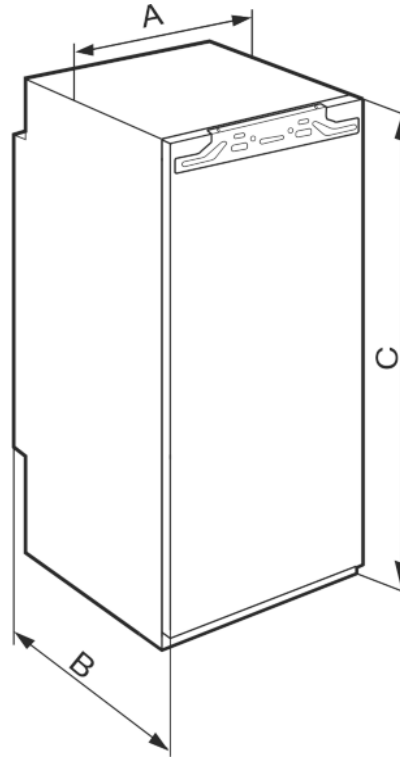


Fig. 1

	A (mm)	B (mm)	C (mm)
IG 10.., IGN 10..	559	544	712
IK 16.., IKP 16.., IG 16.., (S)IB 16..	559	544	872
IK 19.., IKB 19..	559	544	1022
IK 23.., IKP 23.., IKB 23.., IKBP 23..	559	544	1218
IK 27.., IKB 27.., IKBP 27.., IGN 27.., SIGN 27..	559	544	1395
IKBP 29..	559	544	1572
IK 35.., IKF35.., IKB 35.., SIKB 35.., IKBP 35.., IGN 35.., SIGN 35..	559	544	1770

5 Recess dimensions

The appliance is built-in and therefore completely enclosed by a kitchen unit. The kitchen unit concerned must be built exactly to the prescribed dimensions and allow for sufficient ventilation, both at air inlet and outlet, to ensure proper appliance operation.

Unit door

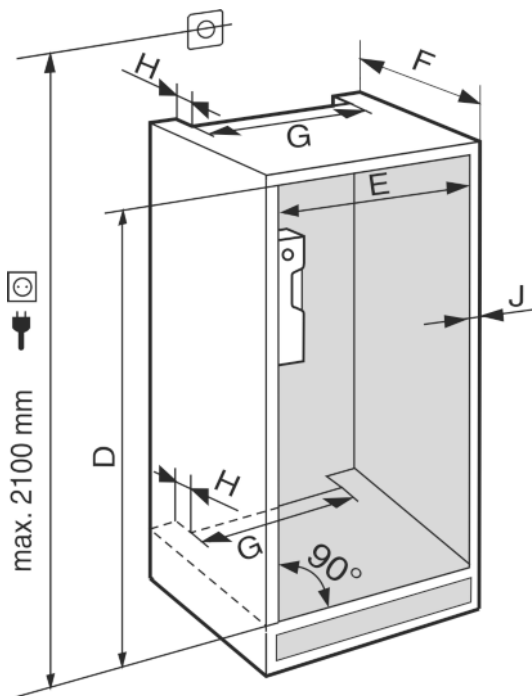
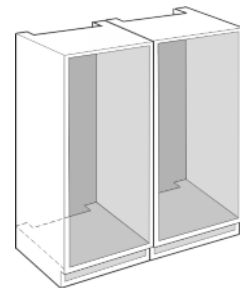


Fig. 2

	D (mm)	E (mm)	F (mm)	G (mm)	H (mm)	J (mm)
IG 10.., IGN 10..	714 — 730					
IK 16.., IKP 16.., IG 16.., IGN 16.., (S)IB 16..	874 — 890					
IK 19.., IKB 19..	1024 — 1040					
IK 23.., IKP 23.., IKB 23.., IKBP 23..	1220 — 1236	560 — 570	min. 550, recommended: 560	min. 500	min. 40	max. 19
IK 27.., IKB 27.., IKBP 27.., IGN 27.., SIGN 27..	1397 — 1413					
IKBP 29..	1574 — 1590					
IK 35.., IKF 35.., IKB 35.., SIKB 35.., IKBP 35.., IGN 35.., SIGN 35..	1772 — 1788					

The specified energy consumption applies to a unit depth of 560 mm. The appliance will work properly at a unit depth of 550 mm, but at a slightly higher energy consumption.

► In the case of Side-by-Side installation, two appliances next to one another, build the appliances into separate kitchen units.*



- Check the wall thickness of the adjoining cabinets: it must be min. 16 mm thick.
- Only install the appliance in robust, stable kitchen units. Secure the units against tipping.
- Align the kitchen unit using a spirit level and marking square and if necessary compensate with shims.
- Ensure that the floor and walls of the unit are at right angles to one another.

6 Unit door

- One door is required for the kitchen unit.
- The door must be minimum 16 mm and maximum 19 mm thick.
- There must be a gap of minimum 3 mm width between the door and the unit door located above it (if one exists).
- The width of the unit door depends on the style of the kitchen and the gap size between the door panels of the cabinet. Generally, there should remain a vertical gap of 3 mm between the unit doors.
- If other cabinets are present, the top edge of the unit door should be on a level with the doors of the adjoining units.
- The unit door must be planar and mounted stress-free.

NOTICE

Risk of damage from over-heavy unit door!

If the unit door is too heavy, damage to the hinges and resulting impairment of function cannot be excluded.

- Before mounting the unit door, make sure that the door does not exceed the approved unit door weight.

Appliance model	Maximum cabinet door weight (kg)
IK 19.., IKB 19..	13
IG 10.., IGN 10..	14
IK 16.., IKP 16.., IG 16.., IGN 16.., (S)IB 16..	16
IKB 23.., IKBP 23.., IK 23.., IKP 23..	19
IK 27.., IKB 27.., IKBP 27.., IGN 27.., SIGN 27..	21
IKBP 29..	22
IK 35.., IKF 35.., IKB 35.., SIKB 35.., IKBP 35.., IGN 35.., SIGN 35..	26

7 Ventilation of the kitchen unit

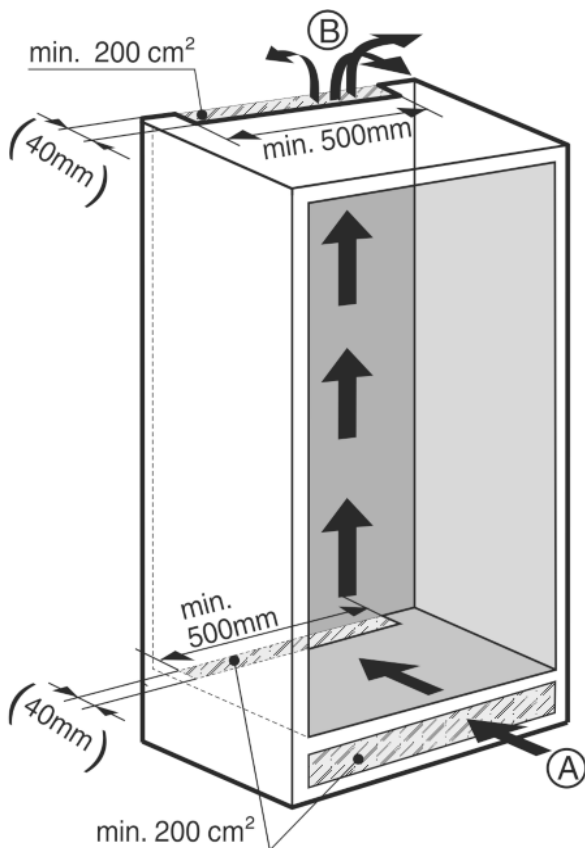


Fig. 3

- There must be an effective ventilation shaft of at least 200 cm² per appliance at the air inlet Fig. 3 (A) and outlet Fig. 3 (B) vent.
- The principle applies that the larger the ventilation shaft, the more energy-saving the operation of the appliance.
- The depth of the ventilation shaft at the back of the cabinet must be min. 40 mm.

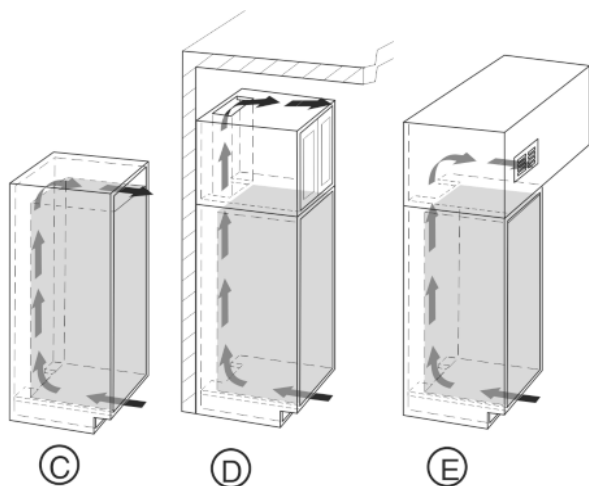


Fig. 4

- The upper ventilation shaft can either be positioned directly above the appliance with an optional ventilation grille Fig. 4 (C), close to the ceiling above the unit Fig. 4 (D) or as an air outlet opening in a false ceiling Fig. 4 (E).

8 Changing over door hinges

NOTICE

Risk of damage due to condensation and colliding doors!

When assembling a **side-by-side (SBS) appliance**:

- ▶ Do not switch the door hinges or install the appliances so that the doors open outwards.

When assembling an appliance with the **appliance name beginning with S...** next to another appliance:

- ▶ Install the appliances so that the doors open outwards. Switch the door hinges, if necessary.



CAUTION

Risk of injury if soft stop contracts!

- ▶ Carefully remove the soft stop mechanism.



CAUTION

Risk of injury if hinges fold!

- ▶ Leave hinges open.



WARNING

Risk of injury due to the door dropping out!

If the fastening parts are not screwed into place firmly enough, the door may drop out. This may lead to severe injuries. What is more, the door may not close and therefore the appliance may fail to cool properly.

- ▶ Screw the hinges and the ball journal of the soft stop mechanism firmly into place, with 4 Nm.
- ▶ Screw the holder of the soft stop mechanism firmly into place, with at least 3 Nm.
- ▶ Check all of the screws and retighten if necessary.

Note

The door hinges can only be changed over if there is sufficient space towards the top to pull out the hinge mounting bracket and to mount it again on the other side. This is generally not the case after installation in the recess.

- ▶ Change the hinges over before the appliance is installed in the recess.



There is a risk of injury during this stage! Please observe the safety instructions!



The instructions apply to several models. Only carry out this step if it is relevant for your appliance.



Choose between the alternatives given.



Loosen the screws only, do not undo them all the way.



Check the screws and tighten if necessary.

- ▶ While changing over the door hinges, observe the safety instructions above and also the information in the symbols key.

Change the hinges over as shown at the end of the book.



Water connection*

9 Water connection*



WARNING

Danger of electric shock!

- ▶ Disconnect the appliance by unplugging it before you connect it to the water line.
- ▶ Shut off the water supply before you connect the water feed lines of the IceMaker.
- ▶ The connection to the drinking water system may be carried out only by a qualified gas fitter and plumber.



WARNING

Risk of poisoning!

- ▶ The water quality has to comply with the drinking water ordinance of the respective country (e.g. 98/8
- ▶ Connect to the drinking water supply only.
- ▶ The IceMaker serves exclusively for making ice cubes in household quantities and has to be operated with water suitable for the purpose.

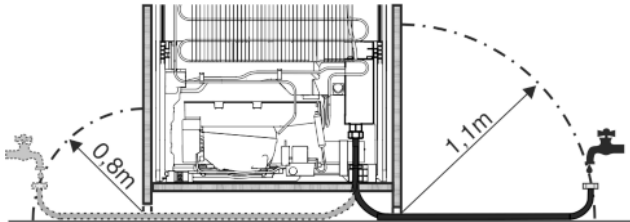


Fig. 5

- The water pressure must be between 0.15 MPa and 0.6 MPa (1.5 bar - 6 bar).
- Water must be supplied to the appliance through a cold water pipe that complies with hygiene standards and can withstand the operating pressure. Use the stainless steel hose supplied (Length 1.5 m) Do not reuse old hoses. A 3 m hose is available as an optional extra. This must be professionally installed. A filter with a seal is located in the hose connector.
- A stopcock must be placed between the hose line and the domestic water connection to cut off the water supply, if necessary.
- All devices and equipment used to supply water must comply with the regulations in force in the respective country.
- Do not damage or kink the water supply line during installation.

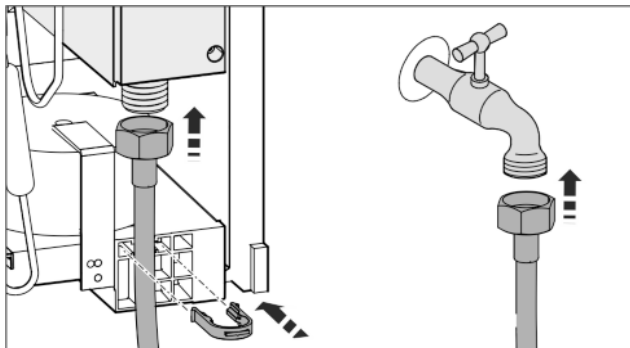


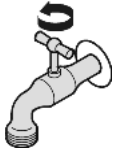
Fig. 6

The solenoid is at the bottom on the back of the appliance. It has a metric R3/4 connecting thread.

Connecting the stainless steel hose:

- ▶ Connect the connector with the filter to the stopcock.
- ▶ Connect the other end of the hose to the solenoid.
- ▶ Fix the stainless steel hose to the housing with the guide clip.

- ▶ Open the water supply cut-off valve and check the whole water system for leaks. Before using for the first time:
- ▶ The domestic water pipe must be bled by a competent expert.



NOTICE

Malfunction of the water intake!*

- If the water intake is shut off during operation but the IceMaker remains in operation, the water intake pipe may ice up.
- ▶ Switch off the IceMaker if the water supply is interrupted (e.g. holiday).

10 Installing the appliance in the recess



WARNING

Fire hazard from short-circuiting!

- ▶ When pushing the appliance into the recess, take care not to crush, jam or damage the mains power cable.
- ▶ Do not operate the appliance with a defective mains power cable.

NOTICE

Risk of damaging the hinges!

- If when being pushed the appliance is held by the door, the hinges could be damaged.
- ▶ When pushing or otherwise moving the appliance, always hold it by the main body.

For installation in the recess, the following accessories are available from Customer Service:

Kit to limit the door opening angle to 90°	
Set for fitting split furniture front panels	
Set with covers for concealed hinges	

	There is a risk of injury during this stage! Please observe the safety instructions!
	The instructions apply to several models. Only carry out this step if the appliance is equipped with the corresponding feature.
	Choose between the alternatives given.
	Loosen the screws only, do not undo them all the way.
	Check the screws and tighten if necessary.

- ▶ Please take note of the information in the symbols key during installation.

Install the appliance in the recess as shown at the end of the booklet.



Installation film



11 Disposing of packaging



WARNING

Danger of suffocation due to packing material and plastic film!

- ▶ Do not allow children to play with packing material.

The packaging is made of recyclable materials:

- corrugated board/cardboard
- expanded polystyrene parts
- polythene bags and sheets
- polypropylene straps
- nailed wooden frame with polyethylene panel*



- ▶ Take the packaging material to an official collecting point.

12 Connecting the appliance

NOTICE

Failure to connect properly

Damage to the electronics.

- ▶ Do not use a standalone inverter.
- ▶ Do not use an energy saving plug.



WARNING

Failure to connect properly

Fire hazard.

- ▶ Do not use an extension cable.
- ▶ Do not use distributor blocks.

The type of current (alternating current) and voltage at the installation site have to conform with the data on the type plate .

The socket must be properly earthed and fused. The tripping current for the fuse must be between 10 A and 16 A.

The socket must be easily accessible so that the appliance can be quickly disconnected from the supply in an emergency. It must be outside the area of the rear of the appliance.

- ▶ Check the electrical connection.
- ▶ Plug in the power plug.



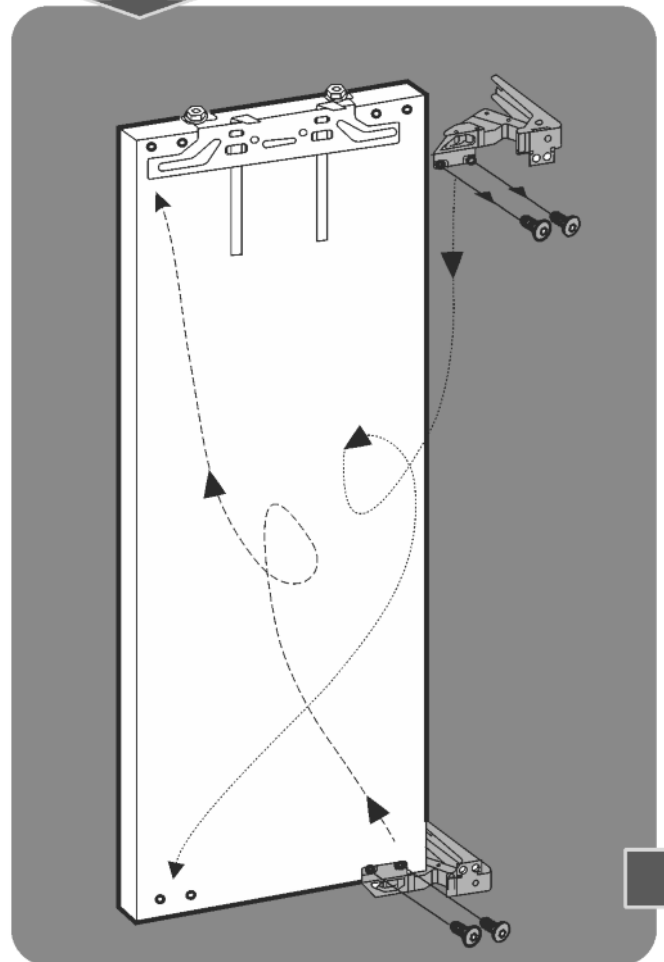
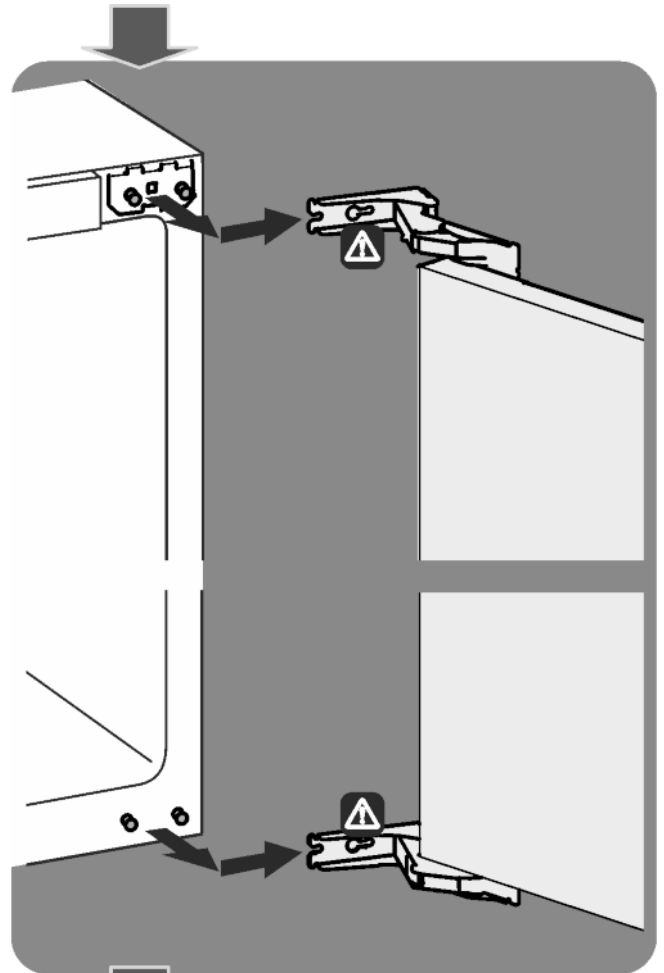
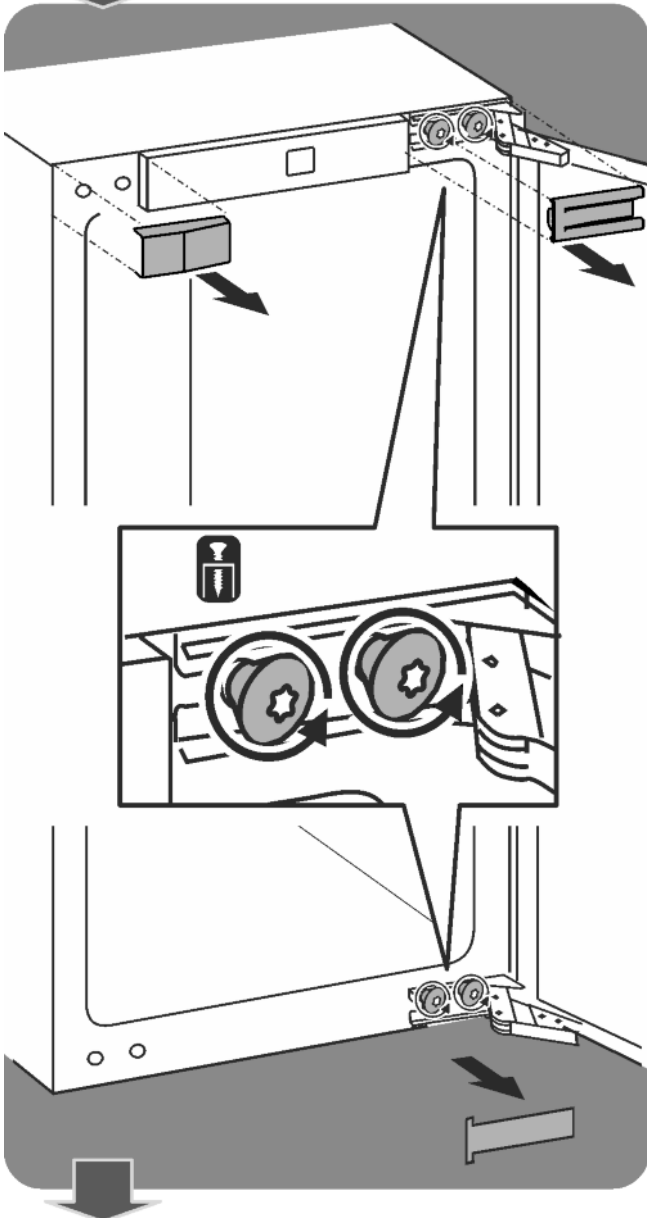
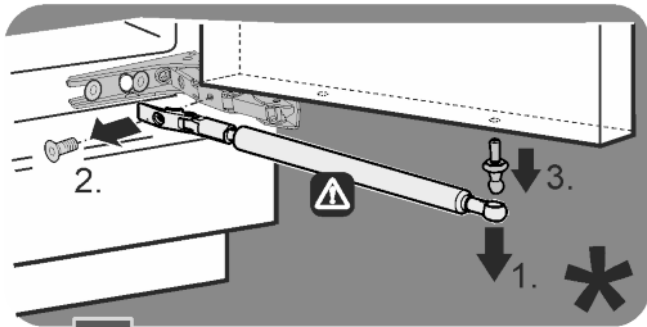
Türanschlagwechsel

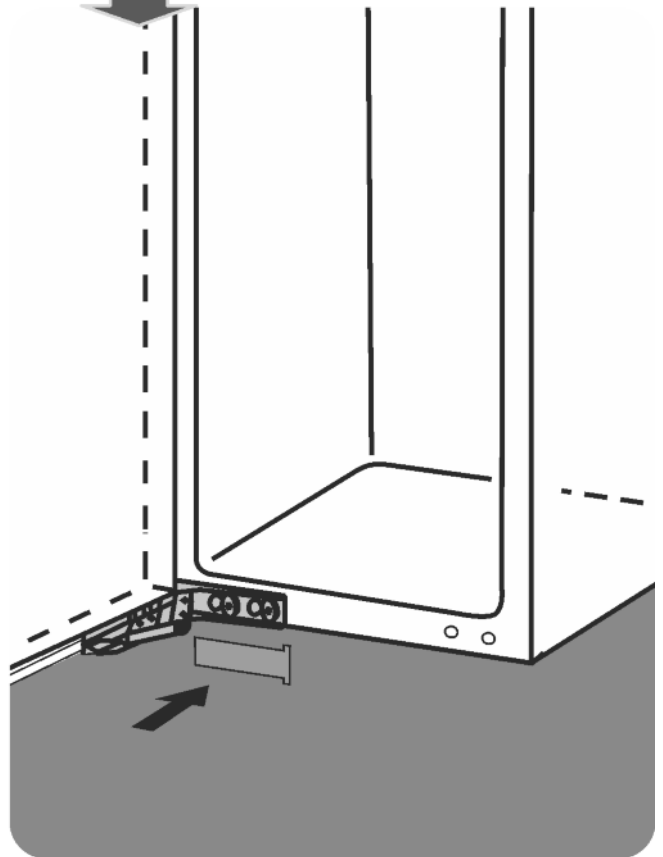
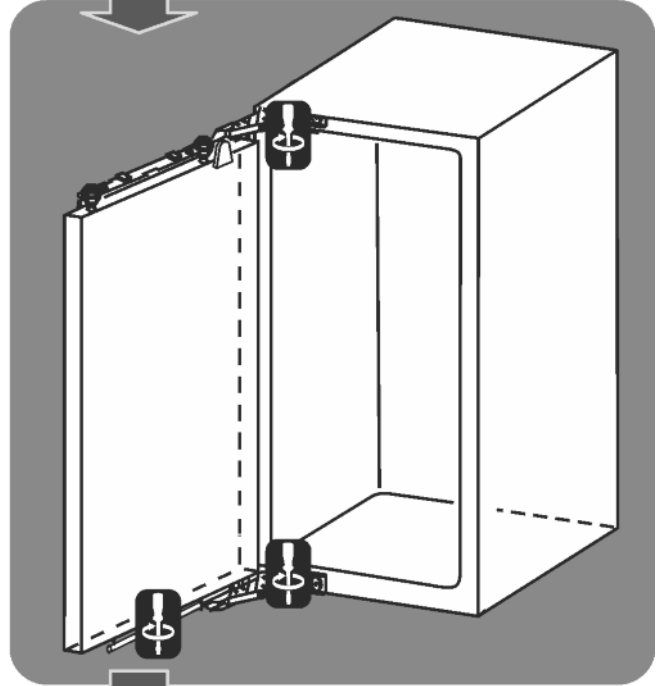
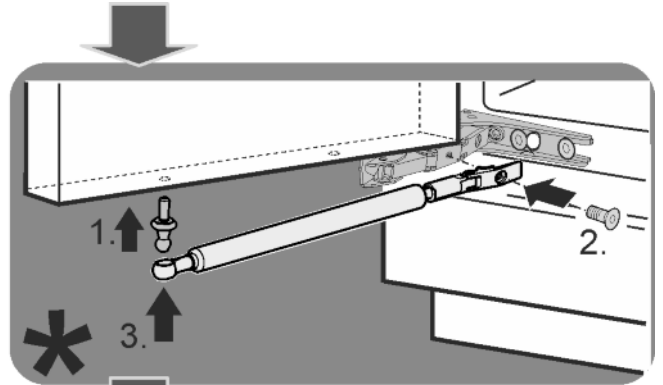
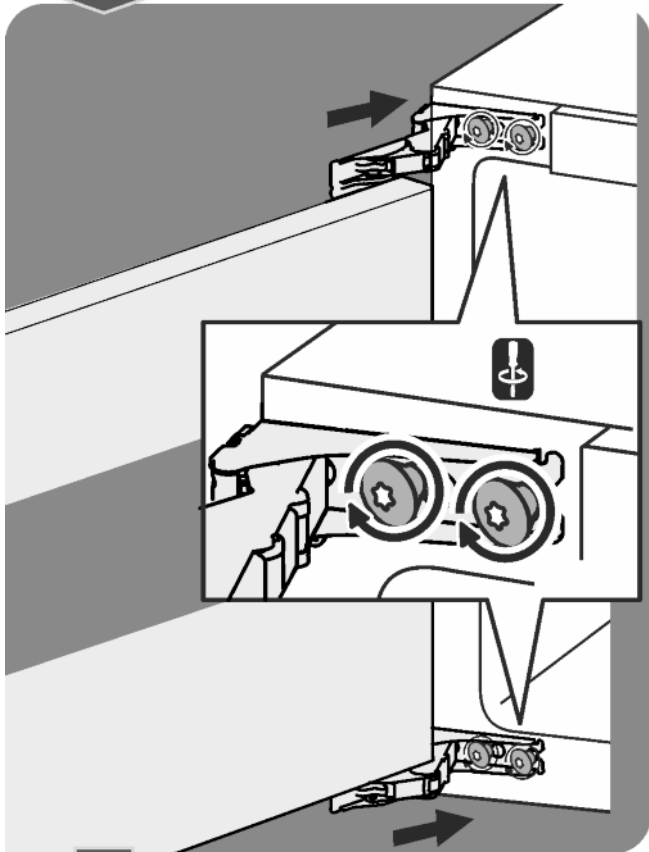
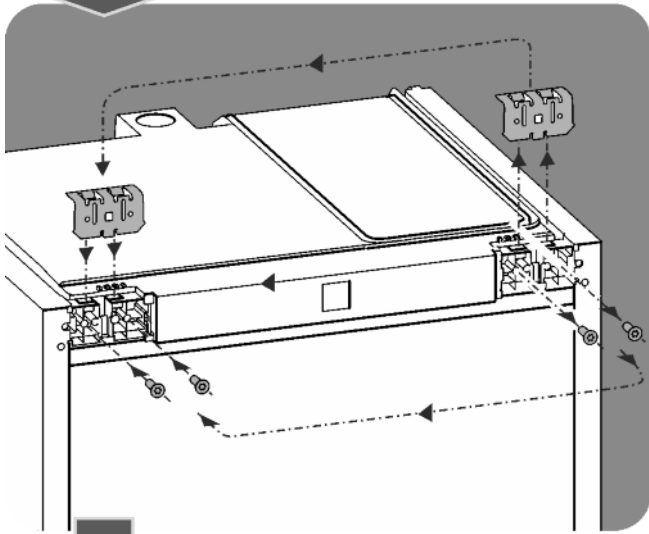
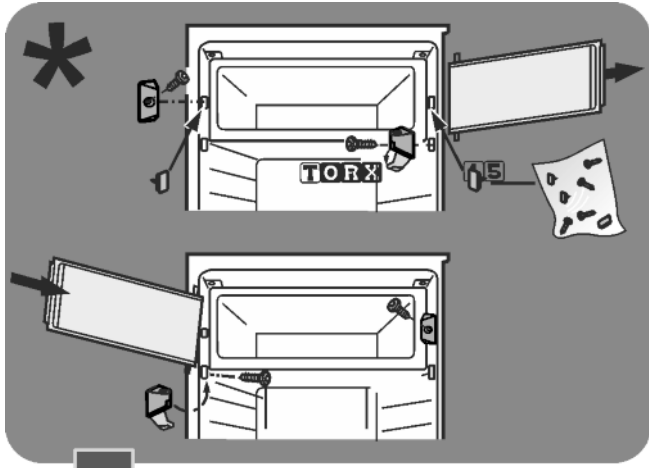
Changing over the door hinges

Cambio del tope de puerta

Inversion du sens d'ouverture de la porte

Перевешивание дверей





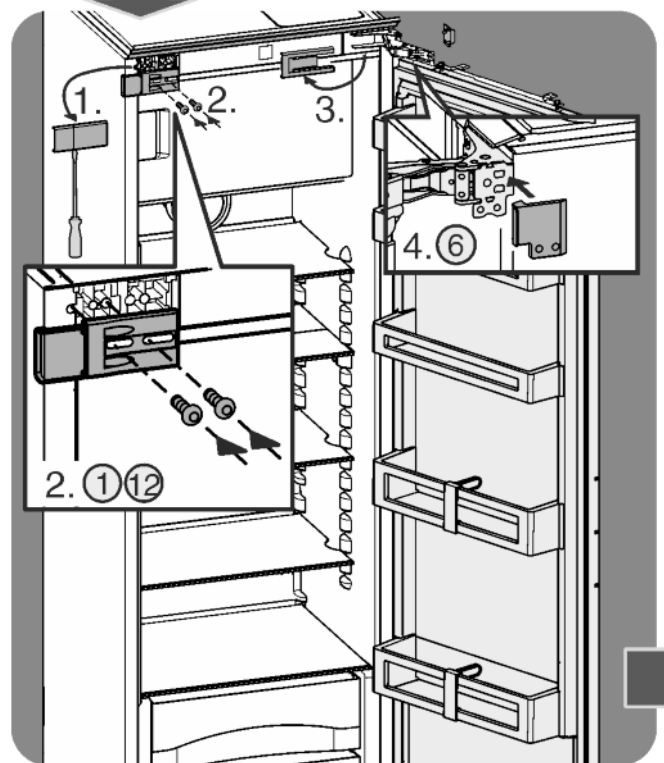
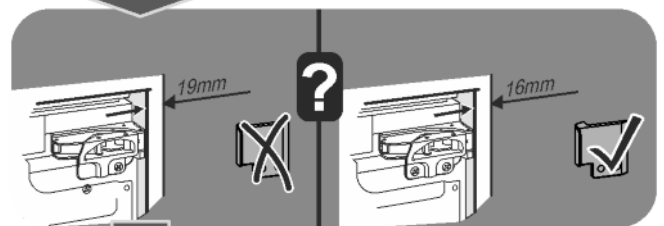
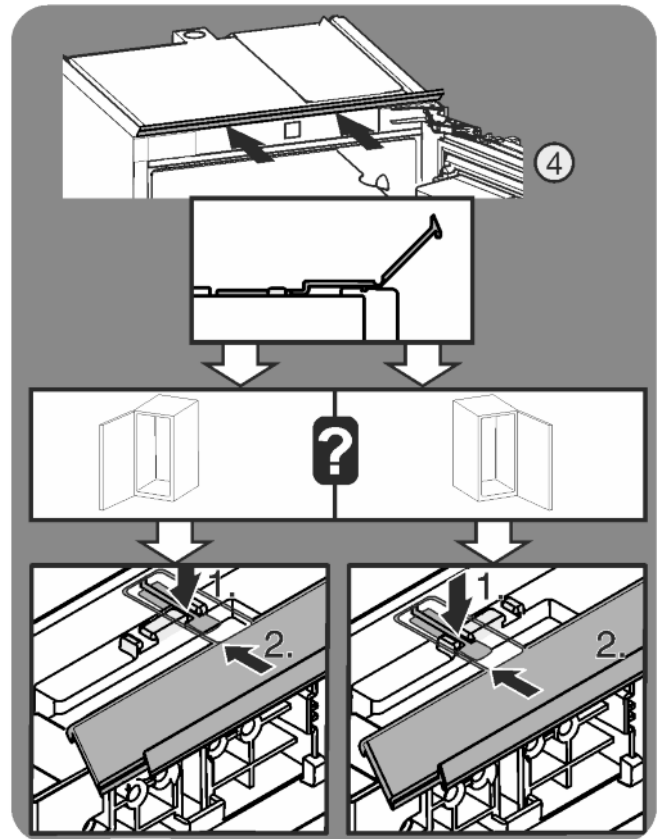
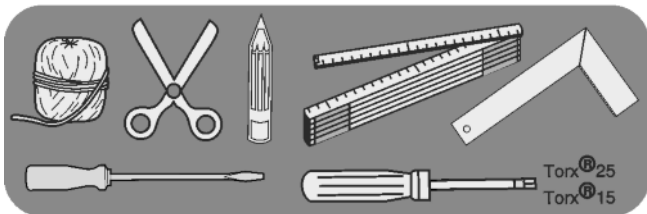
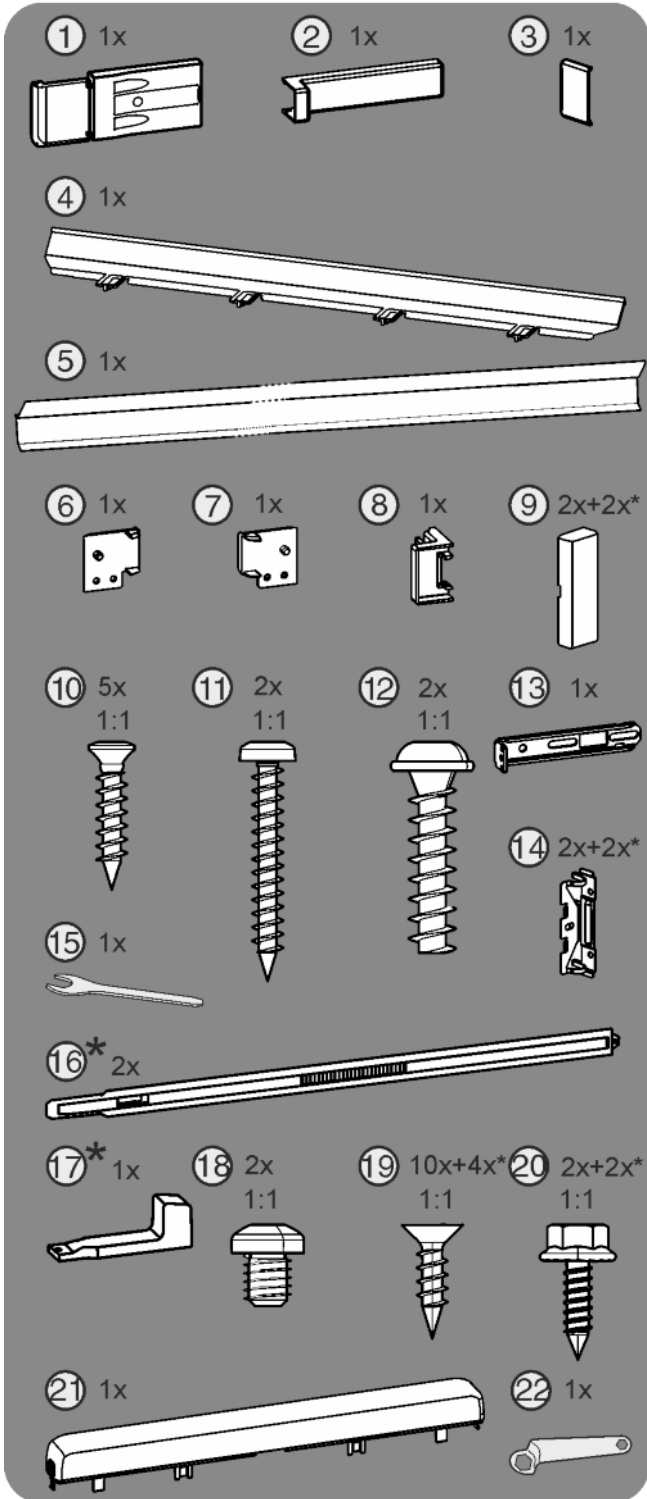
Einbau in die Nische

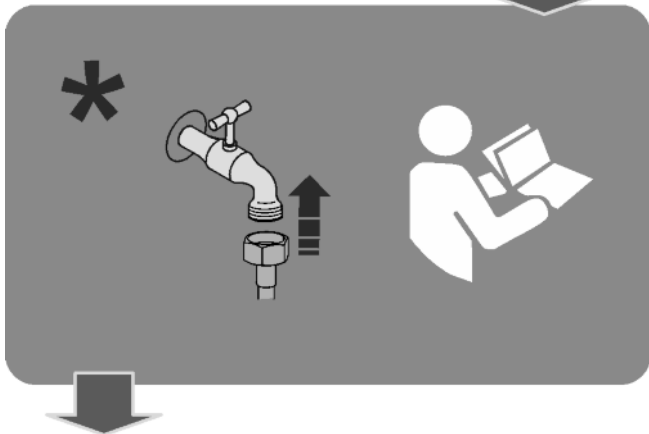
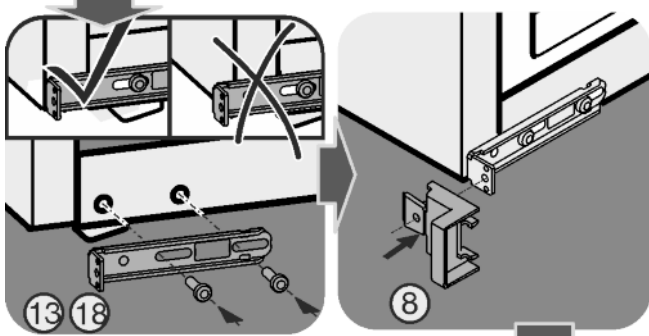
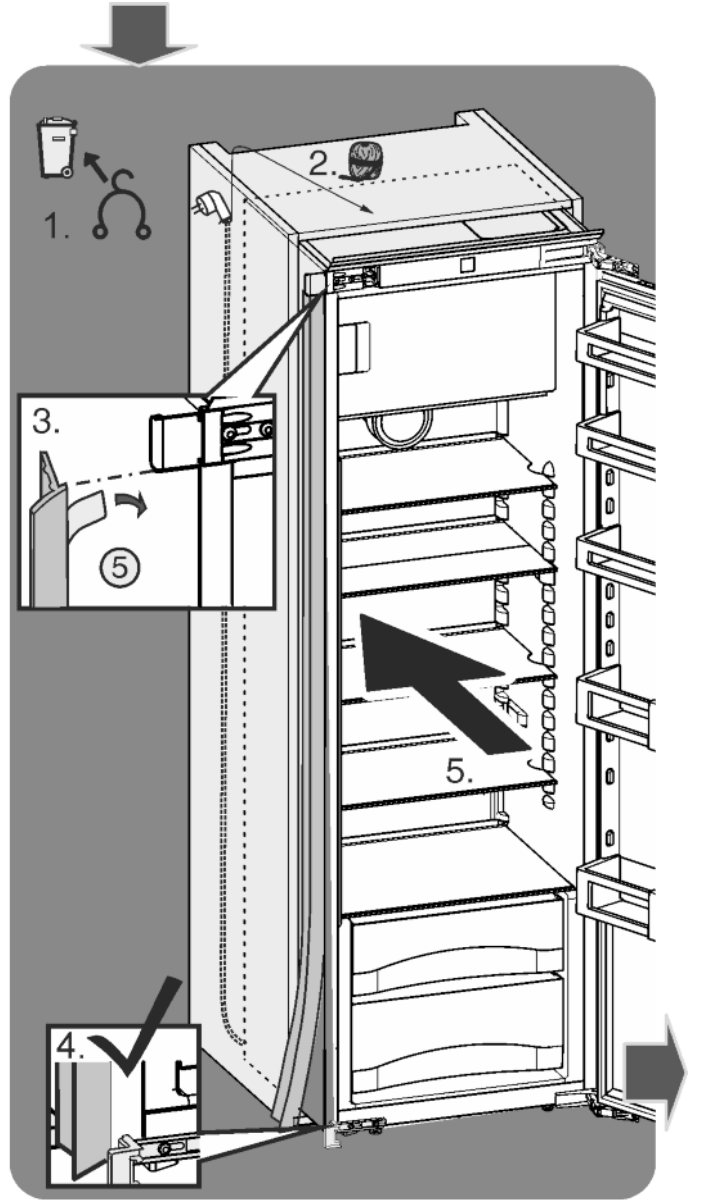
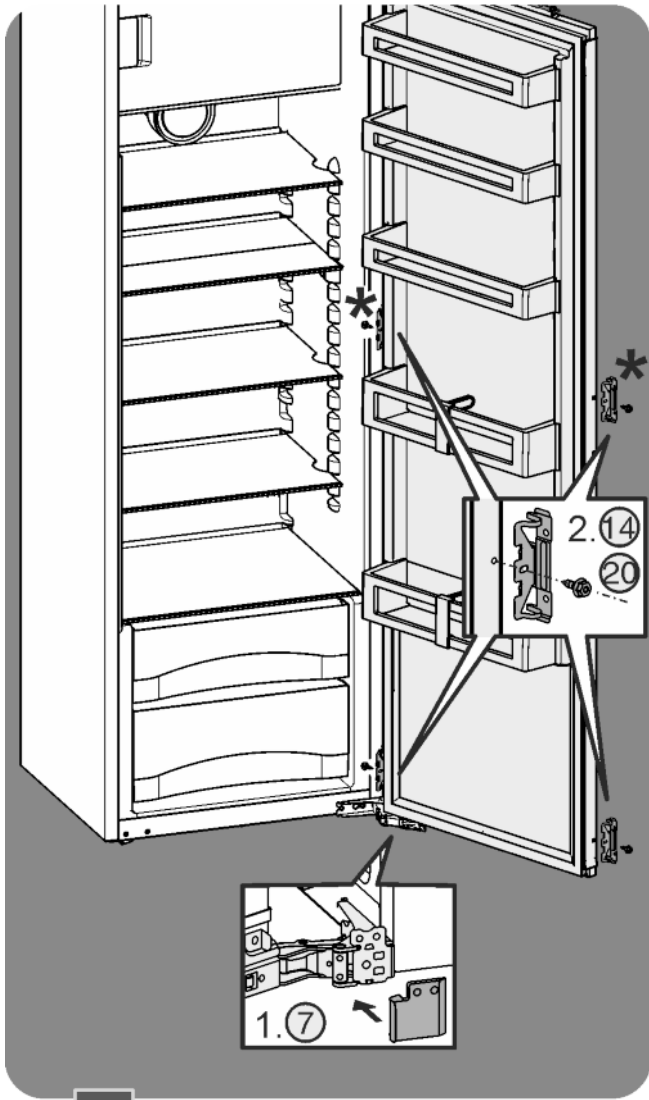
Installation

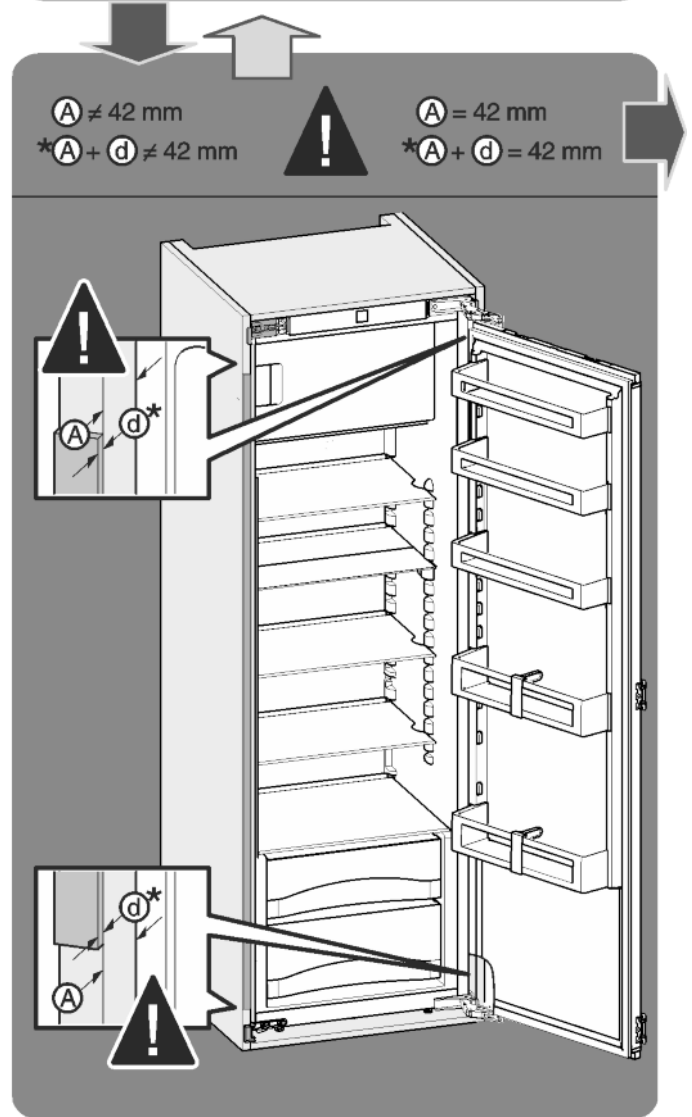
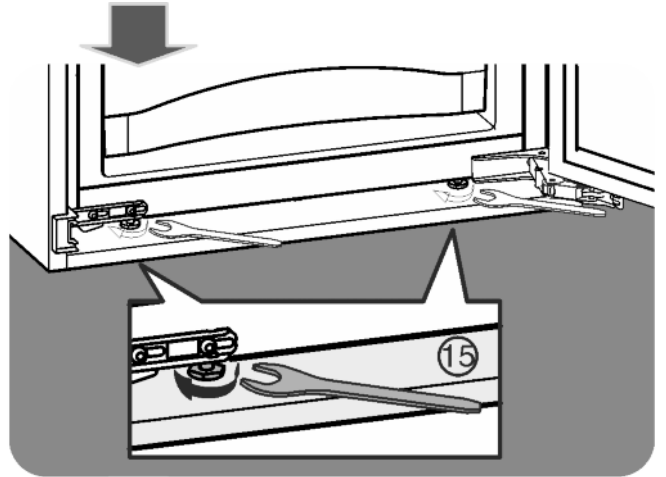
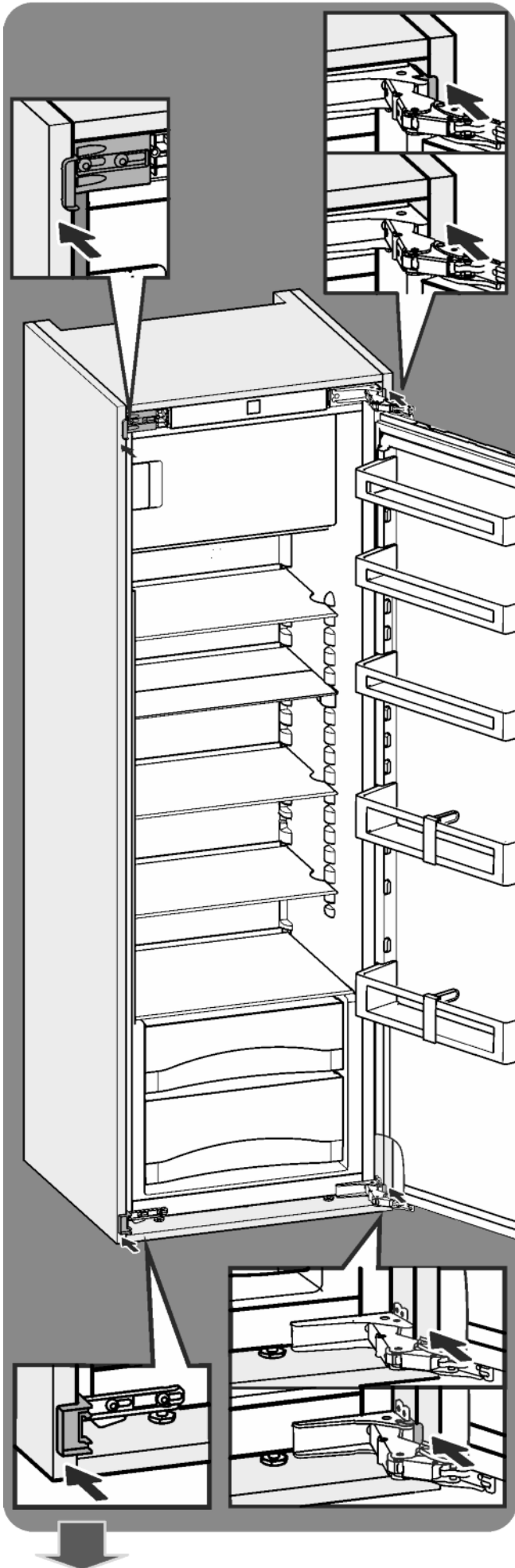
Montaje

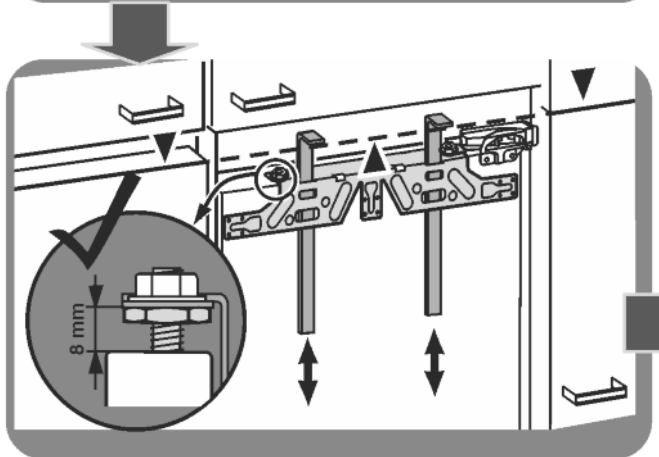
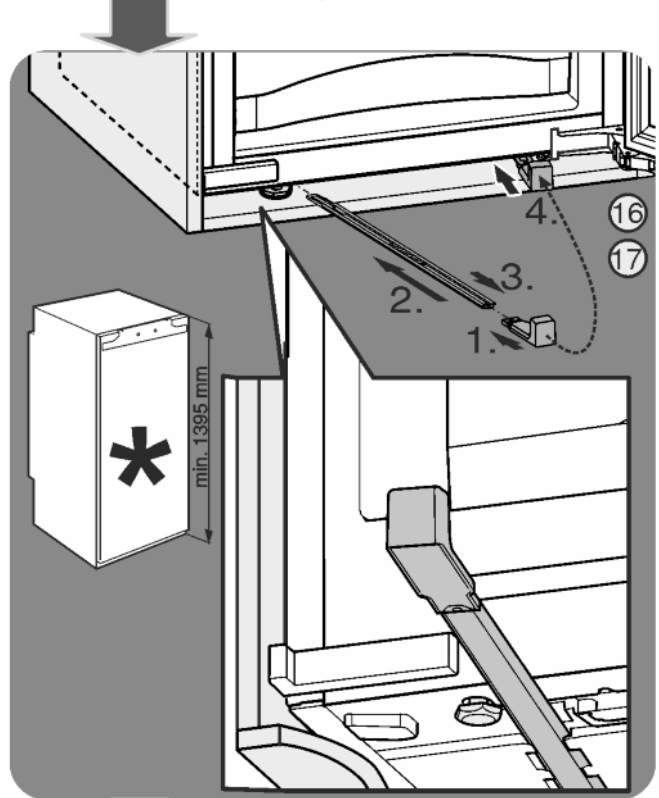
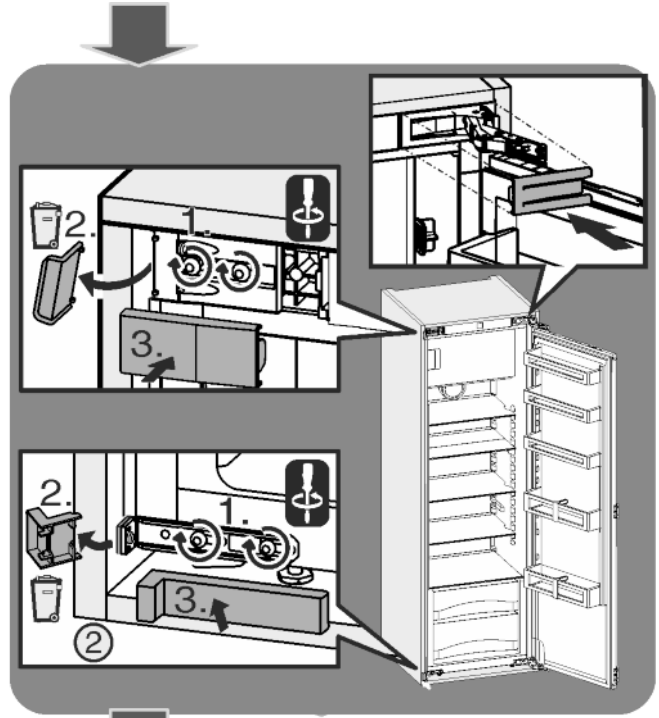
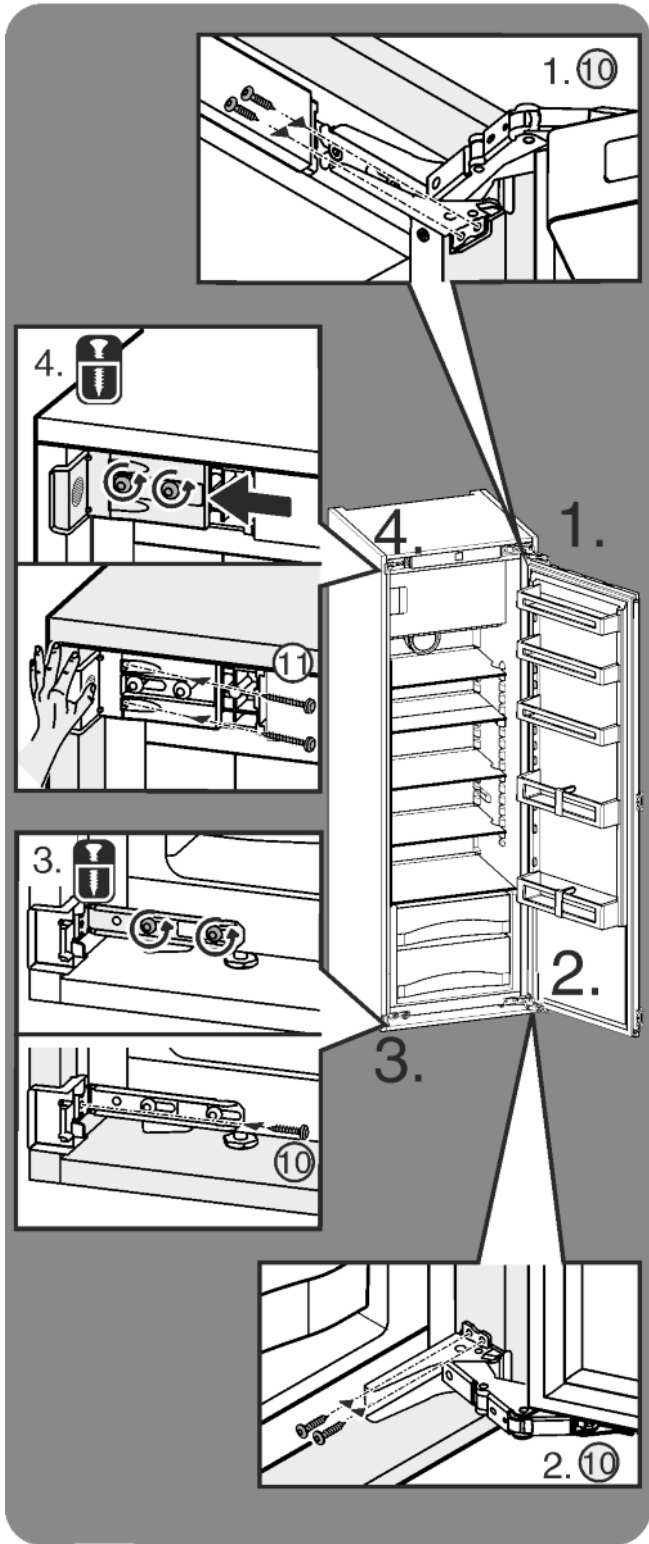
Montage

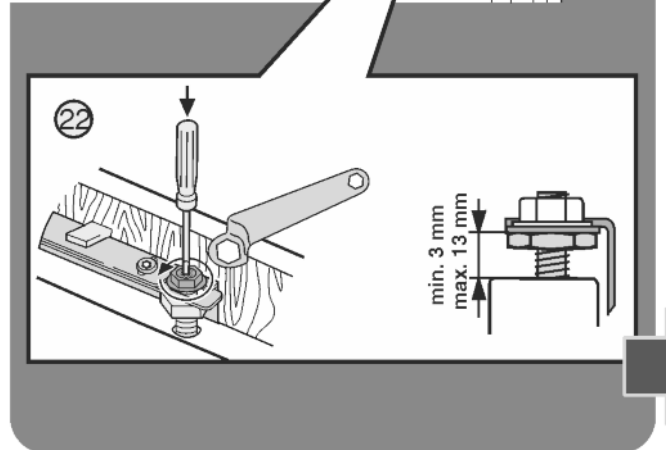
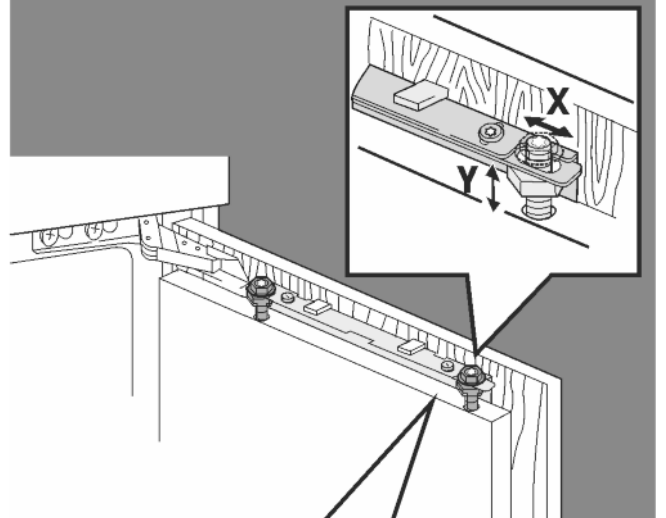
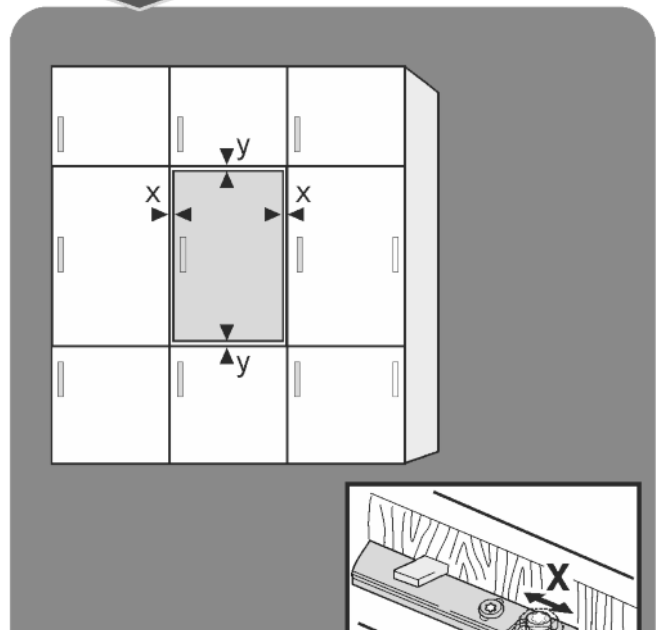
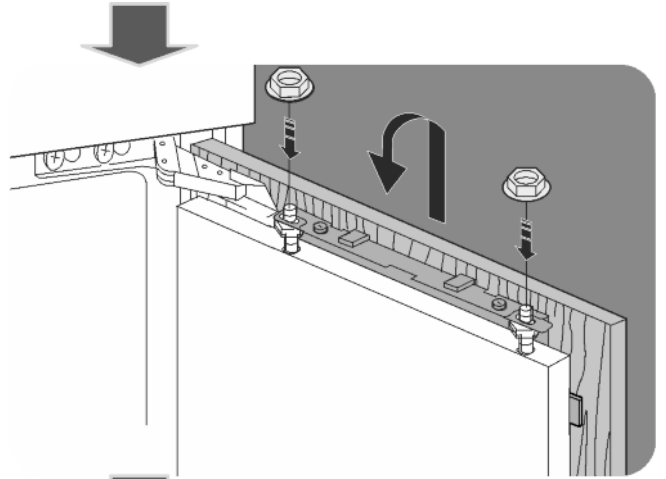
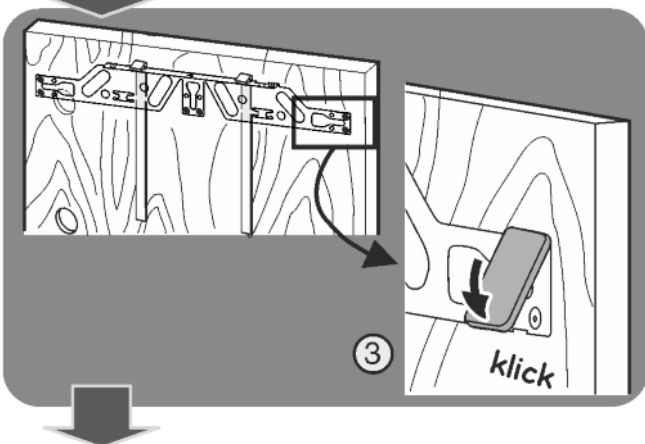
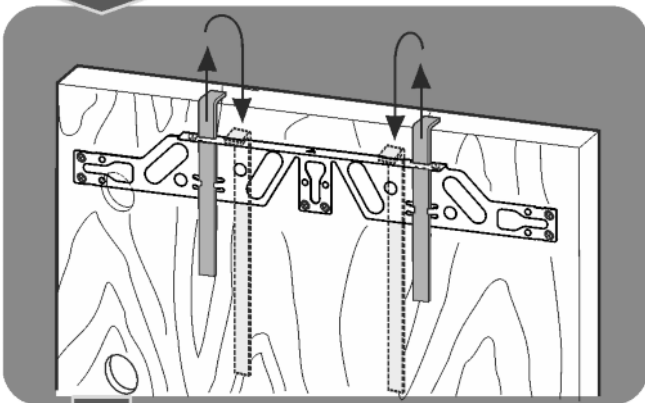
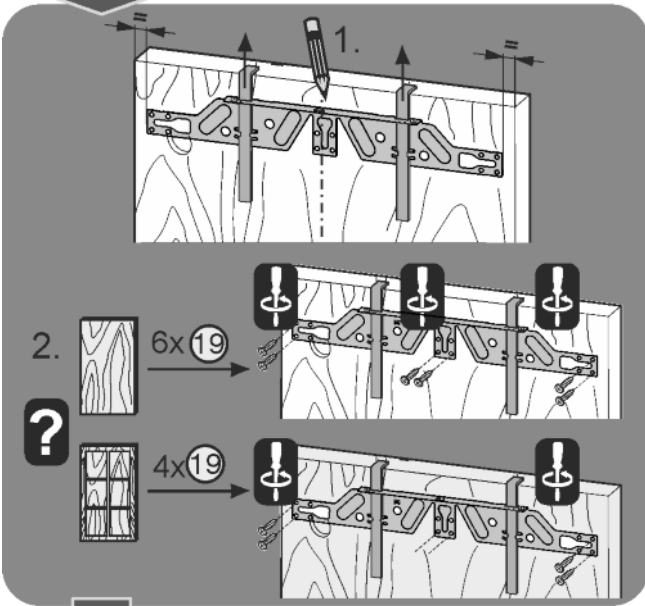
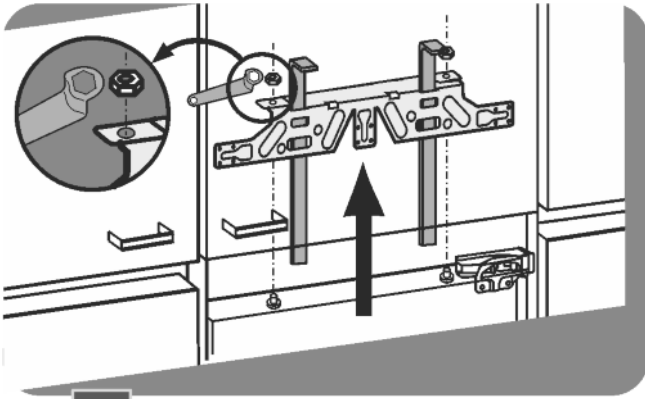
Установка

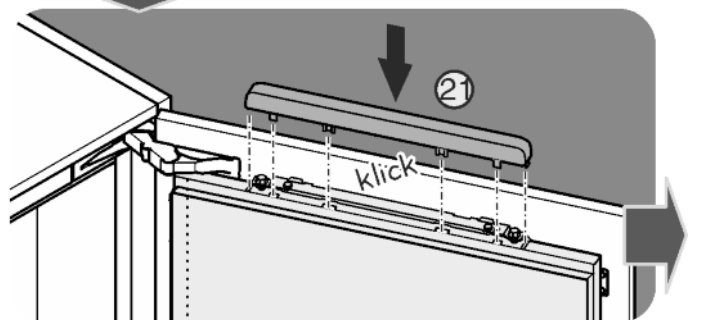
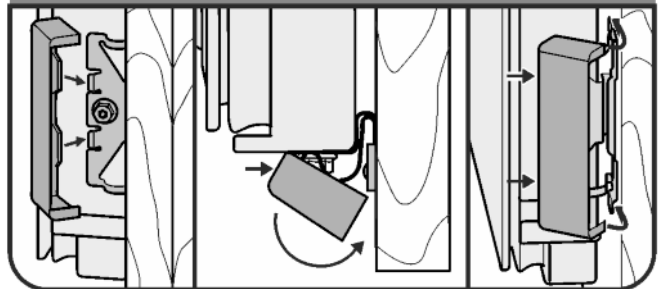
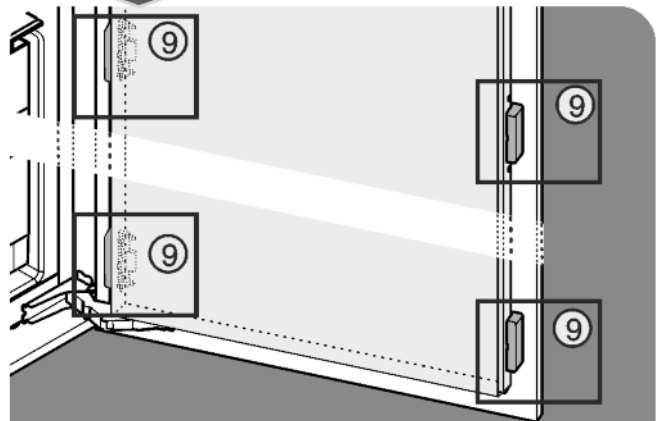
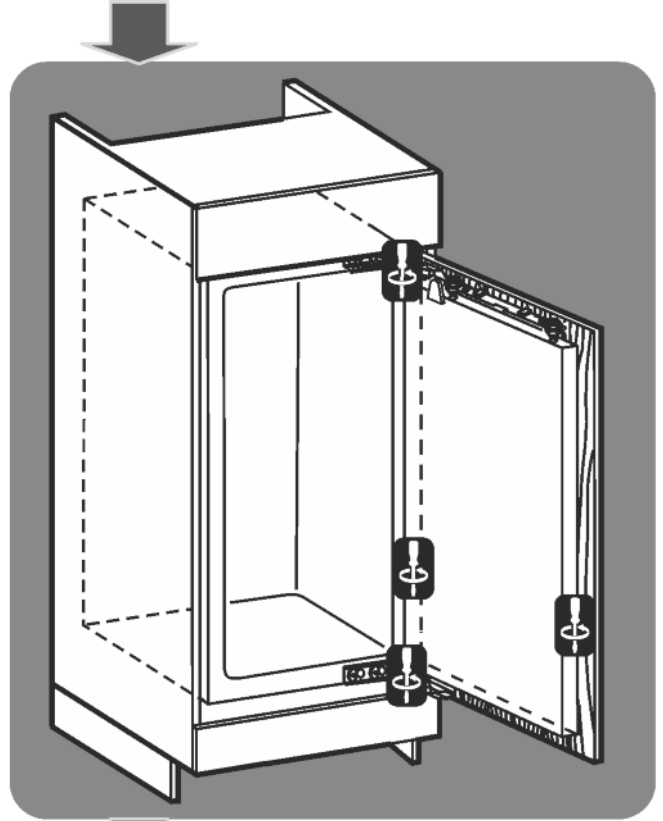
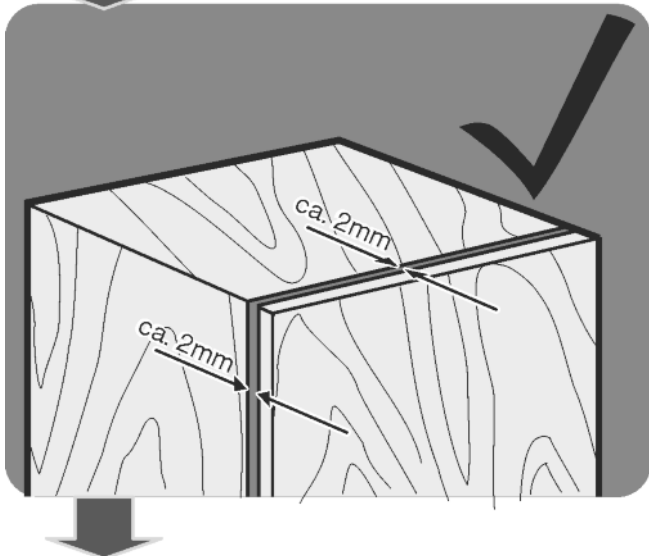
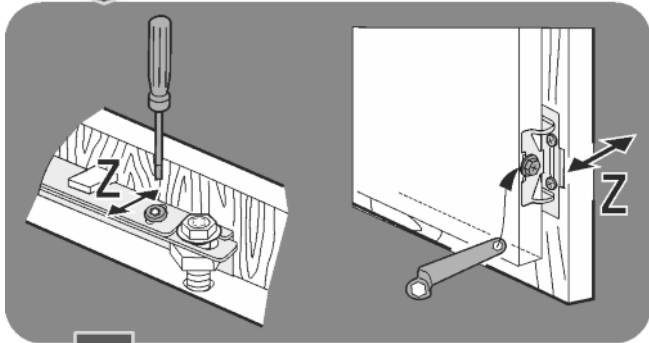
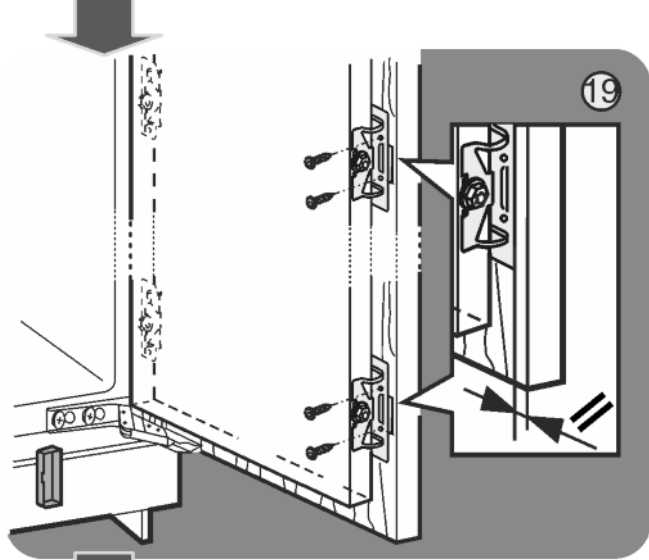
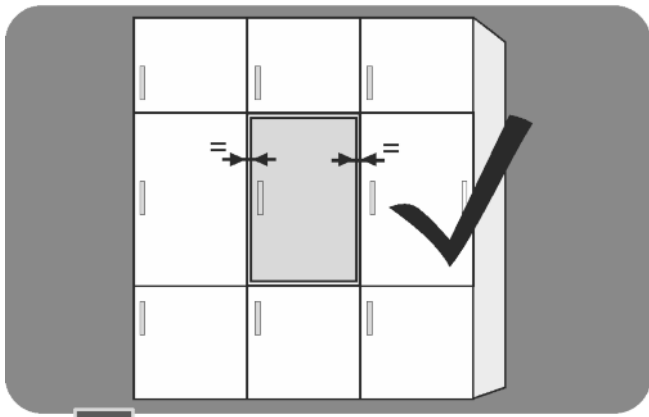


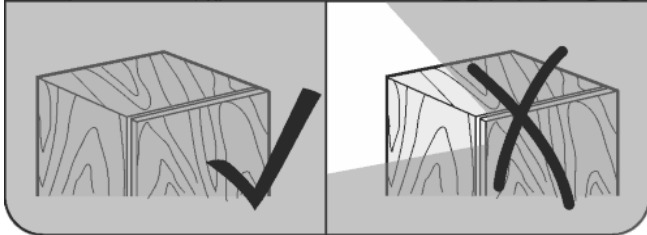
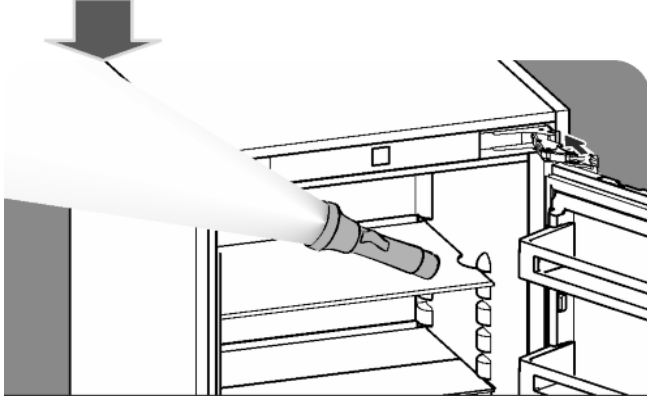
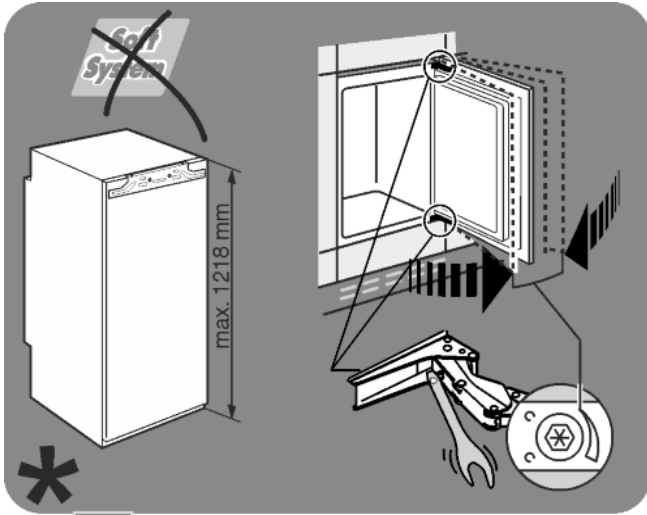














Liebherr-Hausgeräte Ochsenhausen GmbH

Memminger Straße 77-79

88416 Ochsenhausen

Deutschland

home.liebherr.com